



50x50x20mm

- Airflow: 8.9~14.0 CFM
- Static Pressure: 2.1~5.5 mm-H₂O
- Blade / Housing: Plastic Material UL 94V-0 P.B.T.
- Lead Wire: UL1007 #26 AWG
- Weight: 36.0 g

Model No.	Bearing	Rated Voltage	Operating Voltage Range	Speed	Max. Airflow	Max. Static Pressure	Current	Power Consumption	Life at 40°C L10	P-Q Curve	Noise Level
		VDC	VDC	RPM	CFM	mm-H ₂ O	mA	W	Hour		dB(A)
YW05020012SL	S	12	7~13.2	3500	8.9	2.1	60	0.72	30000	3	22.5
YW05020012SM	S		7~13.2	4300	11.0	4.0	90	1.08	30000	2	25.0
YW05020012SH	S		7~13.2	5300	13.2	4.7	110	1.32	25000	1	30.0
YW05020012BL	2B		7~13.2	3900	10.0	2.5	60	0.72	80000	3	23.5
YW05020012BM	2B		7~13.2	4800	12.2	4.0	90	1.08	80000	2	28.0
YW05020012BH	2B		7~13.2	5600	14.0	5.5	110	1.32	75000	1	32.5

[Buy Now](#)

2B: 2-ball bearing L: sintetico bearing S: sleeve bearing

Voltage Available

05 **12** **24** **48**

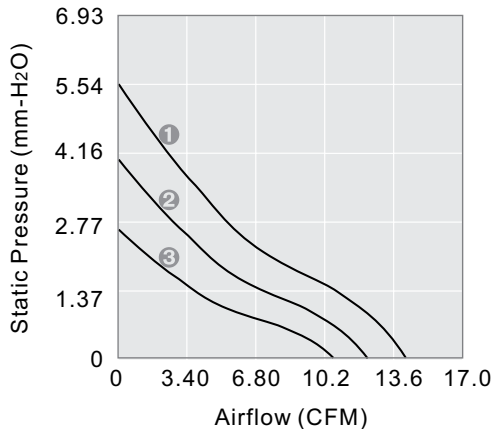
Bearing System Available

2B **L** **S**

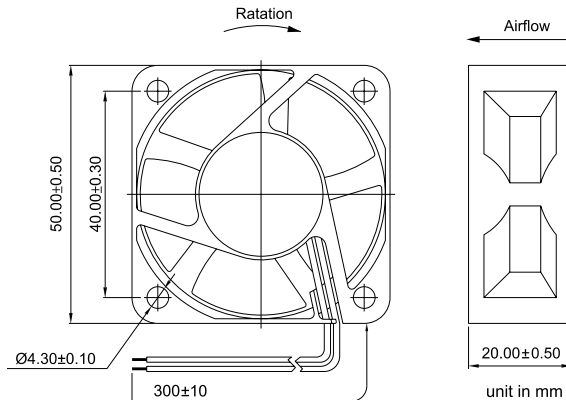
Function Available

1 **6** **5** **4** **3** **2** **7** **8** **9** **10** **11** **14** **12** **13**

PERFORMANCE P-Q CURVE



OUTLINE DIMENSIONS



Please refer to *Model Numbering System* for bearing, function and speed level indication. Specifications are subject to changes without notice. Please refer to the formally issued product specification via contacting Y.S. TECH sales department. Visit Y.S. TECH web site at <http://www.ystechusa.com/> for updated information. Customized Specifications are designed accordingly.