

25x25x15mm

- Airflow: 2.1~2.6 CFM
- Static Pressure: 3.1~4.7 mm-H₂O
- Blade / Housing: Plastic Material UL 94V-0 P.B.T.
- Lead Wire: UL1571 #28 AWG
- Weight: 10.0 g

Model No.	Bearing	Rated Voltage	Operating Voltage Range	Speed	Max. Airflow	Max. Static Pressure	Current	Power Consumption	Life at 40°C L10	P-Q Curve	Noise Level
		VDC	VDC	RPM	CFM	mm-H ₂ O	mA	W	Hour		dB(A)
YW02515005BM	2B	05	4~5.5	9000	2.1	3.1	70	0.35	80000	2	24.0
YW02515005BH	2B		4~5.5	11000	2.6	4.7	100	0.50	75000	1	28.0
YW02515012BM	2B	12	7~13.2	9000	2.1	3.1	45	0.54	80000	2	24.0
YW02515012BH	2B		7~13.2	11000	2.6	4.7	60	0.72	75000	1	28.0

DC AXIAL FAN

DC BLOWER

2B: 2-ball bearing D: 1-ball 1-sleeve bearing L: sintetico bearing S: sleeve bearing

Voltage Available

05 12 24 48

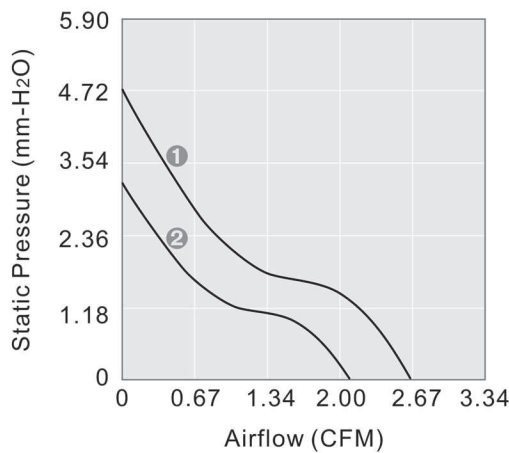
Bearing System Available

2B L S

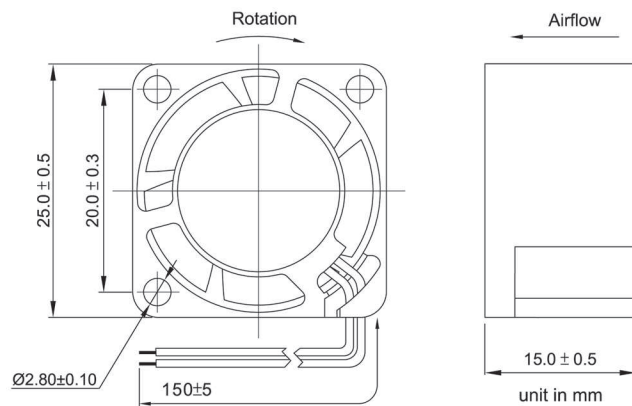
Function Available

1 6 5 4 3 2 7 8 9 10 11 14 12 U

PERFORMANCE P-Q CURVE



OUTLINE DIMENSIONS



XTREME SERIES

AC AXIAL FAN