

Click Here To Buy Now From The Y.S. Tech USA Online Store



120x120x38mm

- Airflow: 194.4~315.3 CFM
- Static Pressure: 31.1~50.5 mm-H₂O
- Blade / Housing: Plastic Material UL 94V-0 P.B.T.
- Lead Wire: UL1007 #22 AWG
- Weight: 400 g

DC AXIAL FAN

DC BLOWER

XTREME SERIES

AC AXIAL FAN

Model No.	Bearing	Rated Voltage	Operating Voltage Range	Speed	Max. Airflow	Max. Static Pressure	Current	Power Consumption	Life at 40°C L10	P-Q Curve	Noise Level
		VDC	VDC	RPM	CFM	mm-H ₂ O	mA	W	Hour		dB(A)
XYW12038012BL-P	2B	12	8~13.2	4000	194.4	31.1	2200	26.40	80000	5	64.0
XYW12038012BM-P	2B		8~13.2	4400	213.7	34.2	2600	31.20	80000	4	66.0
XYW12038024BL-P	2B	24	15~27.0	4000	194.4	31.1	850	20.40	80000	5	64.0
XYW12038024BM-P	2B		15~27.0	4400	213.7	34.2	1000	24.00	80000	4	66.0
XYW12038024BH-P	2B	24	15~27.0	5100	247.6	39.6	1600	38.40	65000	3	69.5
XYW12038024BS-P	2B		15~27.0	5800	281.5	45.1	2400	57.60	65000	2	72.5
XYW12038048BL-P	2B	48	35~56.0	4000	194.4	31.1	460	22.08	80000	5	64.0
XYW12038048BM-P	2B		35~56.0	4400	213.7	34.2	550	26.40	80000	4	66.0
XYW12038048BH-P	2B	48	35~56.0	5100	247.6	39.6	750	36.00	75000	3	69.5
XYW12038048BS-P	2B		35~56.0	5800	281.5	45.1	1100	52.80	65000	2	72.5
XYW12038048BSS-P	2B	48	35~56.0	6500	315.3	50.5	1550	74.40	65000	1	74.5

2B: 2-ball bearing L: sintetico bearing S: sleeve bearing

Voltage Available

05 12 24 48

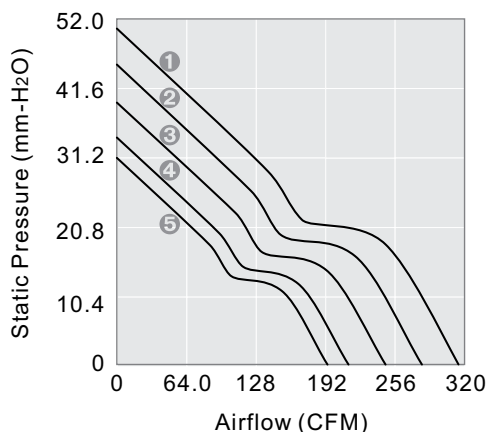
Bearing System Available

2B L S

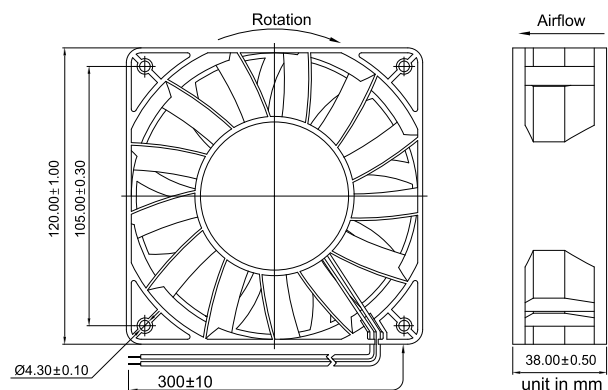
Function Available

1 6 5 4 3 2 7 8 9 10 11 14 12 13

PERFORMANCE P-Q CURVE



OUTLINE DIMENSIONS



Please refer to *Model Numbering System* for bearing, function and speed level indication. Specifications are subject to changes without notice. Please refer to the formally issued product specification via contacting Y.S. TECH sales department. Visit Y.S. TECH web site at <http://www.ystechusa.com/> for updated information. Customized Specifications are designed accordingly.