



# 80x80x38mm

- **Airflow: 77.2~153.8 CFM**
- **Static Pressure: 18.6~62.6 mm-H<sub>2</sub>O**
- **Blade / Housing: Plastic Material UL 94V-0 P.B.T.**
- **Lead Wire: UL1007 #24 AWG**
- **Weight: 185.5 g**

Model No.	Bearing	Rated Voltage	Operating Voltage Range	Speed	Max. Airflow	Max. Static Pressure	Current	Power Consumption	Life at 40°C L10	P-Q Curve	Noise Level
		VDC	VDC	RPM	CFM	mm-H <sub>2</sub> O	mA	W	Hour		dB(A)
XYW08038012BL-S	2B	12	7~13.2	6000	77.2	18.6	530	6.36	60000	5	48.4
XYW08038012BM-S	2B	12	7~13.2	7000	89.8	25.2	750	9.00	60000	4	53.3
XYW08038012BH-S	2B	12	7~13.2	8500	109.1	34.2	1250	15.00	60000	3	58.8
XYW08038012BS-S	2B	12	7~13.2	10000	127.6	46.8	1900	22.80	60000	2	62.8
XYW08038012BV-S	2B	12	7~13.2	12000	153.8	62.6	3100	37.20	60000	1	68.1
XYW08038024BL-S	2B	24	11~28.0	6000	77.2	18.6	270	6.48	60000	5	48.4
XYW08038024BM-S	2B	24	11~28.0	7000	89.8	25.2	370	8.88	60000	4	53.3
XYW08038024BH-S	2B	24	11~28.0	8500	109.1	34.2	620	14.88	60000	3	58.8
XYW08038024BS-S	2B	24	11~28.0	10000	127.6	46.8	1000	24.00	60000	2	62.8
XYW08038024BV-S	2B	24	11~28.0	12000	153.8	62.6	1550	37.20	60000	1	68.1
XYW08038048BL-S	2B	48	36~56.0	6000	77.2	18.6	140	6.72	60000	5	48.4
XYW08038048BM-S	2B	48	36~56.0	7000	89.8	25.2	190	9.12	60000	4	53.3
XYW08038048BH-S	2B	48	36~56.0	8500	109.1	34.2	310	14.88	60000	3	58.8
XYW08038048BS-S	2B	48	36~56.0	10000	127.6	46.8	440	21.12	60000	2	62.8
XYW08038048BV-S	2B	48	36~56.0	12000	153.8	62.6	800	38.40	60000	1	68.1

2B: 2-ball bearing L: sintetico bearing S: sleeve bearing

Voltage Available

05 12 24 48

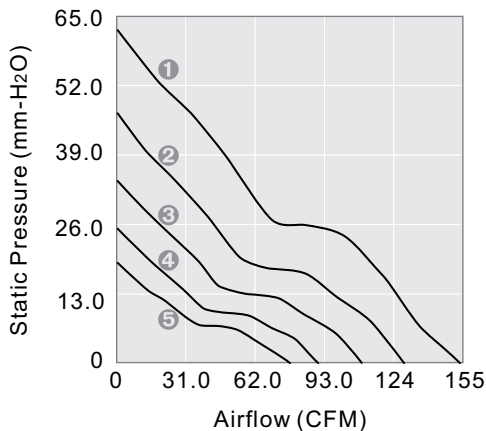
Bearing System Available

2B L S

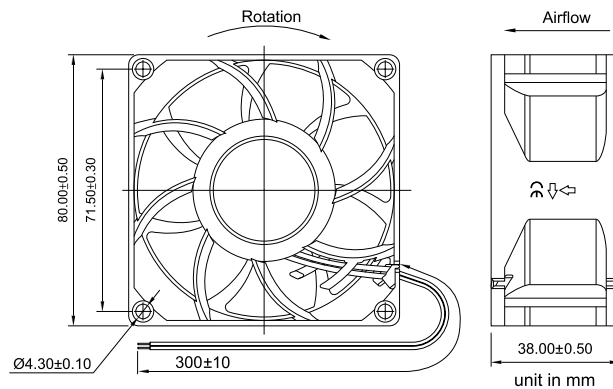
Function Available

1 6 5 4 3 2 7 8 9 10 11 14 12 13

### PERFORMANCE P-Q CURVE



### OUTLINE DIMENSIONS



Please refer to *Model Numbering System* for bearing, function and speed level indication. Specifications are subject to changes without notice. Please refer to the formally issued product specification via contacting Y.S. TECH sales department. Visit Y.S. TECH web site at <http://www.ystechusa.com/> for updated information. Customized Specifications are designed accordingly