



80x80x32mm

- Airflow: 48.6~80.5 CFM
- Static Pressure: 13.5~22.3 mm-H₂O
- Blade / Housing: Plastic Material UL 94V-0 P.B.T.
- Lead Wire: UL1007 #24 AWG
- Weight: 148.2 g

DC AXIAL FAN

DC BLOWER

Model No.	Bearing	Rated Voltage	Operating Voltage Range	Speed	Max. Airflow	Max. Static Pressure	Current	Power Consumption	Life at 40°C L10	P-Q Curve	Noise Level
		VDC	VDC	RPM	CFM	mm-H ₂ O	mA	W	Hour		dB(A)
XYW08032012BL	2B	12	7~13.2	3500	48.6	13.5	240	2.88	80000	4	45.0
XYW08032012BM	2B		7~13.2	4200	58.3	16.2	350	4.20	80000	3	49.0
XYW08032012BH	2B		7~13.2	5000	69.4	19.2	650	7.80	75000	2	53.0
XYW08032012BS	2B		7~13.2	5800	80.5	22.3	830	9.96	65000	1	56.0
XYW08032024BL	2B	24	12~26.4	3500	48.6	13.5	150	3.60	80000	4	45.0
XYW08032024BM	2B		12~26.4	4200	58.3	16.2	220	5.28	80000	3	49.0
XYW08032024BH	2B		12~26.4	5000	69.4	19.2	330	7.92	75000	2	53.0
XYW08032024BS	2B		12~26.4	5800	80.5	22.3	450	10.80	65000	1	56.0

[Buy Now](#)

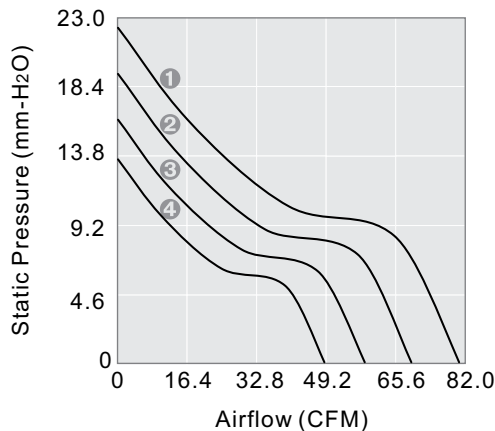
2B: 2-ball bearing L: sintetico bearing S: sleeve bearing

Voltage Available
05 12 24 48

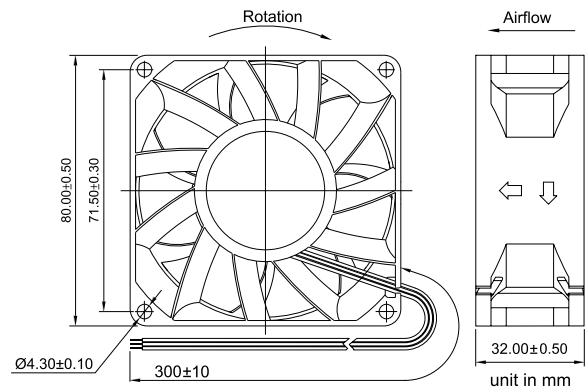
Bearing System Available
2B L S

Function Available
1 6 5 4 3 2 7 8 9 10 11 14 12 13

PERFORMANCE P-Q CURVE



OUTLINE DIMENSIONS



XTREME SERIES

AC AXIAL FAN

Please refer to *Model Numbering System* for bearing, function and speed level indication. Specifications are subject to changes without notice. Please refer to the formally issued product specification via contacting Y.S. TECH sales department. Visit Y.S. TECH web site at <http://www.ystechusa.com/> for updated information. Customized Specifications are designed accordingly.