

Click Here To Buy Now From The Y.S. Tech USA Online Store



92x92x25mm

- **Airflow:** 45.8~73.4 CFM
- **Static Pressure:** 3.1~7.2 mm-H₂O
- **Blade / Housing:** Plastic Material UL 94V-0 P.B.T.
- **Lead Wire:** UL1007 #24 AWG
- **Weight:** 100.0 g

DC AXIAL FAN

DC BLOWER

XTREME SERIES

AC AXIAL FAN

Model No.	Bearing	Rated Voltage	Operating Voltage Range	Speed	Max. Airflow	Max. Static Pressure	Current	Power Consumption	Life at 40°C L10	P-Q Curve	Noise Level
		VDC	VDC	RPM	CFM	mm-H ₂ O	mA	W	Hour		dB(A)
NYW09225012SL	S		7~13.2	2400	45.8	3.1	150	1.80	30000	5	32.5
NYW09225012SM	S		7~13.2	2800	53.5	4.3	220	2.64	30000	4	38.0
NYW09225012SH	S		7~13.2	3100	58.6	5.2	260	3.12	25000	3	40.0
NYW09225012SS	S		7~13.2	3500	67.3	5.9	340	4.08	20000	2	43.0
NYW09225012SSS	S		7~13.2	3800	73.4	7.3	470	5.64	20000	1	45.5
NYW09225012BL	2B		7~13.2	2400	45.8	3.1	150	1.80	80000	5	32.5
NYW09225012BM	2B	12	7~13.2	2800	53.5	4.3	220	2.64	80000	4	38.0
NYW09225012BH	2B		7~13.2	3100	58.6	5.2	260	3.12	75000	3	40.0
NYW09225012BS	2B		7~13.2	3500	67.3	5.9	340	4.08	65000	2	43.0
NYW09225012BSS	2B		7~13.2	3800	73.4	7.2	470	5.64	65000	1	45.5
NYW09225024BL	2B		12~26.4	2400	45.8	3.1	90	2.16	80000	5	32.5
NYW09225024BM	2B	24	12~26.4	2800	53.5	4.3	120	2.88	80000	4	38.0
NYW09225024BH	2B		12~26.4	3100	58.6	5.2	160	3.84	75000	3	40.0
NYW09225024BS	2B		12~26.4	3500	67.3	5.9	200	4.80	65000	2	43.0
NYW09225024BSS	2B		12~26.4	3800	73.4	7.3	270	6.48	65000	1	45.5
NYW09225048BL	2B		24~56.0	2400	45.8	3.1	55	2.64	80000	5	32.5
NYW09225048BM	2B	48	24~56.0	2800	53.5	4.3	80	3.84	80000	4	38.0
NYW09225048BH	2B		24~56.0	3100	58.6	5.2	100	4.80	75000	3	40.0

2B: 2-ball bearing L: sintetico bearing S: sleeve bearing

Voltage Available

Bearing System Available

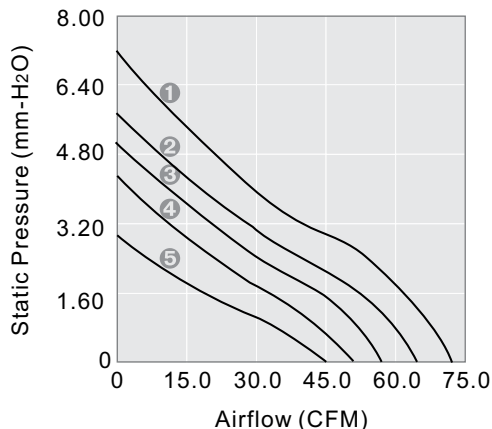
Function Available

05 12 24 48

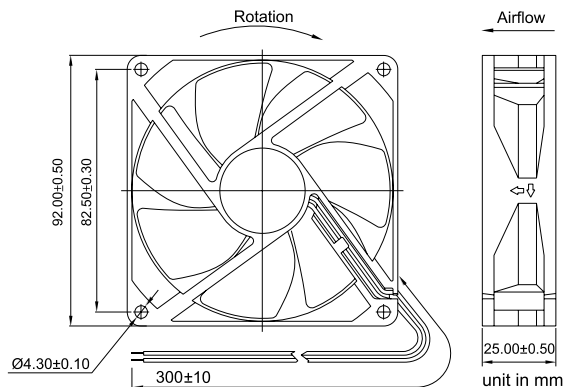
2B L S

1 6 5 4 3 2 7 8 9 10 11 14 12 13

PERFORMANCE P-Q CURVE



OUTLINE DIMENSIONS



Please refer to *Model Numbering System* for bearing, function and speed level indication. Specifications are subject to changes without notice. Please refer to the formally issued product specification via contacting Y.S. TECH sales department. Visit Y.S. TECH web site at <http://www.ystechusa.com/> for updated information. Customized Specifications are designed accordingly.