



180x180x65mm

- Airflow: 349.5~397.5 CFM
- Static Pressure: 17.6~22.0 mm-H2O
- Blade: Plastic Material UL 94V-0 P.B.T.
- Frame: Die-Cast Aluminum
- Weight: 1800 g

DC AXIAL FAN

DC BLOWER

XTREME SERIES

AC AXIAL FAN

Model No.	Bearing	Rated Voltage	Freq	Speed	Max. Airflow	Max. Static Pressure	Current	Power Consumption	Life at 65°C L10	P-Q Curve	Noise Level
	VAC	Hz	RPM	CFM	mm-H2O	A	W	Hour			
KT18065115B H	2B	115	50/60	2650/3200	349.5/397.5	17.6/22.0	0.57/0.48	50.0/52.0	40000	①/②	59.7/63.6
KW18065115B H	2B	115	50/60	2650/3200	349.5/397.5	17.6/22.0	0.57/0.48	50.0/52.0	40000	①/②	59.7/63.6
KT18065220B H	2B	230	50/60	2650/3200	349.5/397.5	17.6/22.0	0.23/0.24	43.0/52.0	40000	①/②	59.7/63.6
KW18065220B H	2B	230	50/60	2650/3200	349.5/397.5	17.6/22.0	0.23/0.24	43.0/52.0	40000	①/②	59.7/63.6

[Buy Now](#)

2B: 2-ball bearing S: sleeve bearing

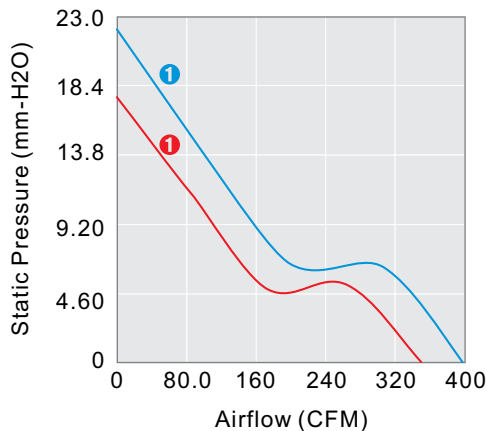
Voltage Available

115 230

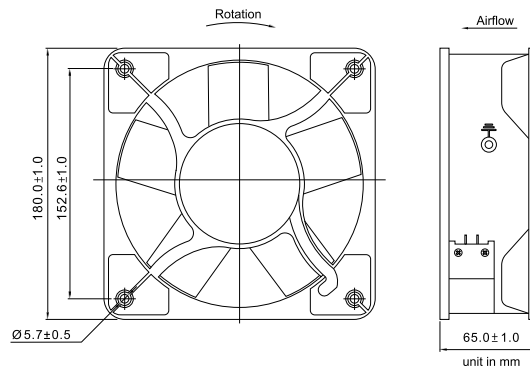
Bearing System Available

2B S

PERFORMANCE P-Q CURVE



OUTLINE DIMENSIONS



Please refer to *Model Numbering System* for bearing, function and speed level indication. Specifications are subject to changes without notice. Please refer to the formally issued product specification via contacting Y.S. TECH sales department. Visit Y.S. TECH web site at <http://www.ystechusa.com/> for updated information. Customized Specifications are designed accordingly.