



# 80x80x38mm

- Airflow: 16.7~24.3 CFM
- Static Pressure: 2.88~6.29 mm-H<sub>2</sub>O
- Blade: Plastic Material UL 94V-0 P.B.T.
- Frame: Die-Cast Aluminum
- Weight: 370 g

Model No.	Bearing	Rated Voltage	Freq	Speed	Max. Airflow	Max. Static Pressure	Current	Power Consumption	Life at 40°C L10	P-Q Curve	Noise Level
	VAC	Hz	RPM	CFM	mm-H <sub>2</sub> O	A	W	Hour		dB(A)	
KT08038115S H	S	50/60	2450/3000	20.4/24.3	4.45/6.29	0.12/0.10	14.0/12.0	20000	1/1	29.9/37.2	
KW08038115S H	S	50/60	2450/3000	20.4/24.3	4.45/6.29	0.12/0.10	14.0/12.0	20000	1/1	29.9/37.2	
KT08038115B M	2B	115	50/60	2100/2300	16.7/18.8	2.88/3.35	0.07/0.06	11.0/ 9.0	60000	2/2	26.2/29.2
KW08038115B M	2B		50/60	2100/2300	16.7/18.8	2.88/3.35	0.07/0.06	11.0/ 9.0	60000	2/2	26.2/29.2
KT08038115B H	2B	115	50/60	2450/3000	20.4/24.3	4.45/6.29	0.12/0.10	14.0/12.0	60000	1/1	29.9/37.2
KW08038115B H	2B		50/60	2450/3000	20.4/24.3	4.45/6.29	0.12/0.10	14.0/12.0	60000	1/1	29.9/37.2
KT08038220S H	S	230	50/60	2450/3000	20.4/24.3	4.45/6.29	0.06/0.05	14.0/12.0	20000	1/1	29.9/37.2
KW08038220S H	S		50/60	2450/3000	20.4/24.3	4.45/6.29	0.06/0.05	14.0/12.0	20000	1/1	29.9/37.2
KT08038220B M	2B	230	50/60	2100/2300	16.7/18.8	2.88/3.35	0.05/0.04	11.0/ 9.0	60000	2/2	26.2/29.2
KW08038220B M	2B		50/60	2100/2300	16.7/18.8	2.88/3.35	0.05/0.04	11.0/ 9.0	60000	2/2	26.2/29.2
KT08038220B H	2B	230	50/60	2450/3000	20.4/24.3	4.45/6.29	0.06/0.05	14.0/12.0	60000	1/1	29.9/37.2
KW08038220B H	2B		50/60	2450/3000	20.4/24.3	4.45/6.29	0.06/0.05	14.0/12.0	60000	1/1	29.9/37.2

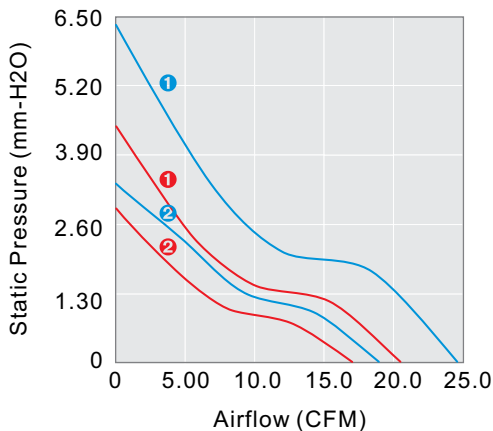
Buy Now

2B: 2-ball bearing S: sleeve bearing

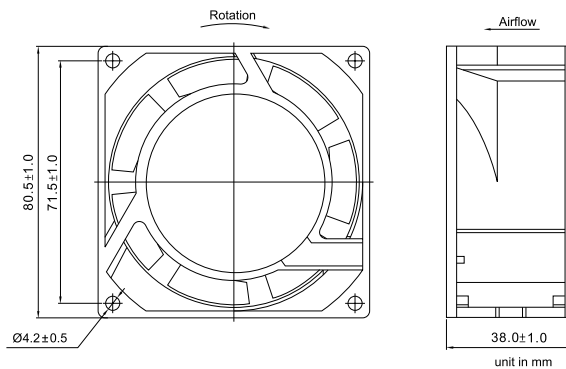
Voltage Available  
115 230

Bearing System Available  
2B S

### PERFORMANCE P-Q CURVE



### OUTLINE DIMENSIONS



Please refer to Model Numbering System for bearing, function and speed level indication. Specifications are subject to changes without notice. Please refer to the formally issued product specification via contacting Y.S. TECH sales department. Visit Y.S. TECH web site at <http://www.ystechusa.com/> for updated information. Customized Specifications are designed accordingly.