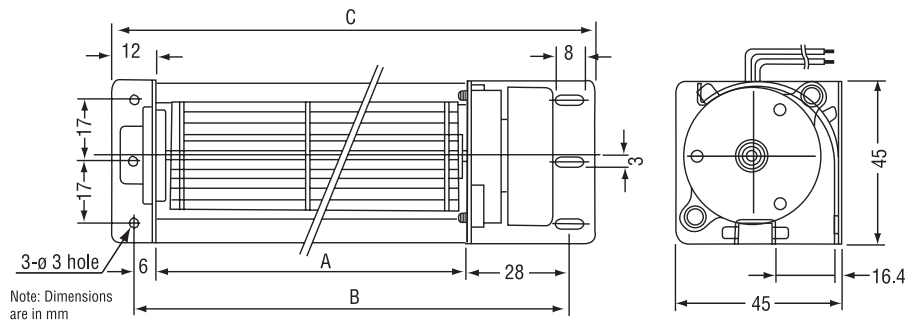


Note: Dimensions are in mm

CFS25 DC SERIES

MODEL No.	A	B	C	VOLTS	AMPS	SPEED RPM	PRESSURE mm/h2O	CFM	NOISE dBa	WEIGHT (G)
CFS09825012BH	98	108	129	12	0.07	4300	1.2	7.2	37	80
CFS16025012BH	160	170	191	12	0.09	3600	1.5	10.8	39	105
CFS19825012BH	198	208	229	12	0.1	3400	1.7	12.6	40	120



Note: Dimensions are in mm

CFS30 DC SERIES

MODEL No.	A	B	C	VOLTS	AMPS	SPEED RPM	PRESSURE mm/h2O	CFM	NOISE dBa	WEIGHT (G)
CFS09830012BH	98	132	145	12	0.17	3600	1	21.6	38	190
CFS16030012BH	160	194	207	12	0.2	3300	1.5	28.6	36	230
CFS19830012BH	198	232	245	12	0.28	3000	1.9	36	35	250
CFS30030012BH	300	334	347	12	0.32	2800	2.2	54	36	310