

Click Here To Buy Now From The Y.S. Tech USA Online Store



97x97x33mm

- **Airflow: 25.6~32.4 CFM**
- **Static Pressure: 22.1~28.1 mm-H₂O**
- **Blade / Housing: Plastic Material UL 94V-0 P.B.T.**
- **Lead Wire: UL1007 #24 AWG**
- **Weight: 156.7 g**

Model No.	Bearing	Rated Voltage	Operating Voltage Range	Speed	Max. Airflow	Max. Static Pressure	Current	Power Consumption	Life at 40°C L10	P-Q Curve	Noise Level
		VDC	VDC	RPM	CFM	mm-H ₂ O	mA	W	Hour		dB(A)
BW09733012BL	2B	12	7~13.2	2600	25.6	22.1	400	4.80	80000	3	40.0
BW09733012BM	2B	12	7~13.2	2900	28.5	24.7	480	5.76	80000	2	42.5
BW09733012BH	2B	12	7~13.2	3300	32.4	28.1	740	8.88	75000	1	48.5
BW09733024BL	2B	24	12~26.4	2600	25.6	22.1	210	5.04	80000	3	40.0
BW09733024BM	2B	24	12~26.4	2900	28.5	24.7	280	6.72	80000	2	42.5
BW09733024BH	2B	24	12~26.4	3300	32.4	28.1	420	10.08	75000	1	48.5

2B: 2-ball bearing L: sintetico bearing S: sleeve bearing

Voltage Available

05 12 24 48

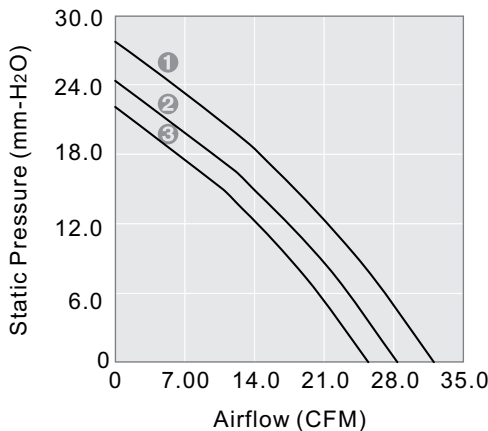
Bearing System Available

2B L S

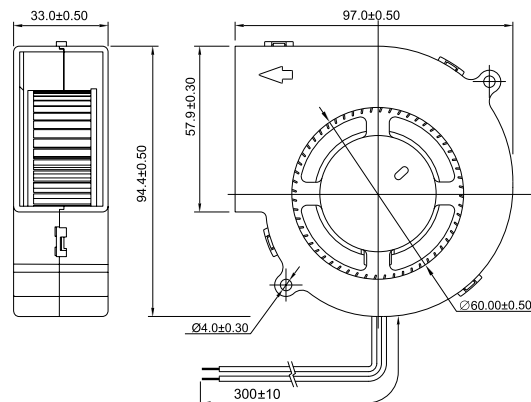
Function Available

1 6 5 4 3 2 7 8 9 10 11 14 12 13

PERFORMANCE P-Q CURVE



OUTLINE DIMENSIONS



Please refer to *Model Numbering System* for bearing, function and speed level indication. Specifications are subject to changes without notice. Please refer to the formally issued product specification via contacting Y.S. TECH sales department. Visit Y.S. TECH web site at <http://www.ystechusa.com/> for updated information. Customized Specifications are designed accordingly.

DC AXIAL FAN

DC BLOWER

XTREME SERIES

AC AXIAL FAN