

[Click Here To Buy Now From The Y.S. Tech USA Online Store](#)



## 50x50x15mm

- **Airflow: 4.2~6.7 CFM**
- **Static Pressure: 16.3~32.8 mm-H<sub>2</sub>O**
- **Blade / Housing:**  
Plastic Material UL 94V-0 P.B.T.
- **Lead Wire: UL1007 #26 AWG**
- **Weight: 28 g**

DC AXIAL FAN

DC BLOWER

Model No.	Bearing	Rated Voltage	Operating Voltage Range	Speed	Max. Airflow	Max. Static Pressure	Current	Power Consumption	Life at 40°C L10	P-Q Curve	Noise Level
		VDC	VDC	RPM	CFM	mm-H <sub>2</sub> O	mA	W	Hour		dB(A)
BW05115005BL	2B	05	4~5.5	4500	4.2	16.3	170	0.85	80000	4	33.5
BW05115005BM	2B		4~5.5	5500	5.1	19.9	350	1.75	80000	3	38.0
BW05115012BL	2B	12	7~13.2	4500	4.2	16.3	95	1.14	80000	4	33.5
BW05115012BM	2B		7~13.2	5500	5.1	19.9	160	1.92	80000	3	38.0
BW05115012BH	2B	12	7~13.2	6500	5.7	21.2	230	2.76	75000	2	41.5
BW05115012BS	2B		7~13.2	7500	6.7	32.8	290	3.48	65000	1	47.5
BW05115024BL	2B	24	12~26.4	4500	4.2	16.3	60	1.44	80000	4	33.5
BW05115024BM	2B		12~26.4	5500	5.1	19.9	85	2.04	80000	3	38.0
BW05115024BH	2B		12~26.4	6500	5.7	21.2	120	2.88	75000	2	41.5
BW05115024BS	2B		12~26.4	7500	6.7	32.8	180	4.32	65000	1	47.5

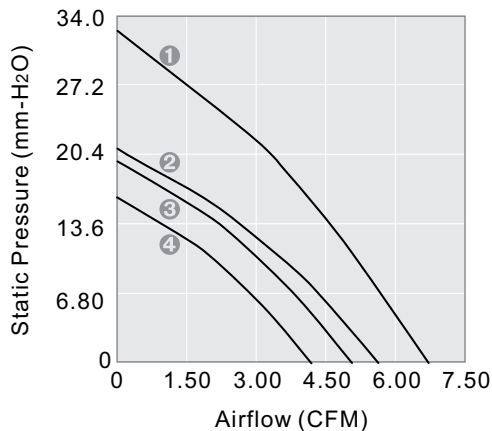
2B: 2-ball bearing L: sintetico bearing S: sleeve bearing

Voltage Available  
05 12 24 48

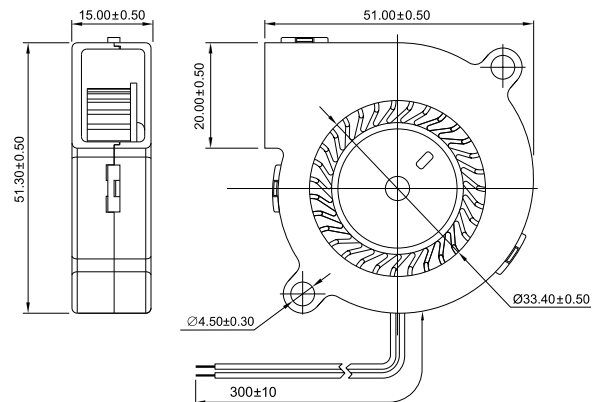
Bearing System Available  
2B L S

Function Available  
1 6 5 4 3 2 7 8 9 10 11 14 12 13

### PERFORMANCE P-Q CURVE



### OUTLINE DIMENSIONS



XTREME SERIES

AC AXIAL FAN

Please refer to *Model Numbering System* for bearing, function and speed level indication. Specifications are subject to changes without notice. Please refer to the formally issued product specification via contacting Y.S. TECH sales department. Visit Y.S. TECH web site at <http://www.ystechusa.com/> for updated information. Customized Specifications are designed accordingly.