

Miniature Radial Glass Thermistor



- Glass hermetic encapsulation with high resistance to humid environments
- Wide operating temperature range
- High stability
- Fast response time
- RoHS Compliant

DESCRIPTION

The NTC Chip hermetically sealed in a miniature glass encapsulation package

FEATURES

- Hermetically sealed glass package
- High stability at elevated temperatures
- Available in $\pm 20\%$ tolerance @ +25°C
- Fast time response
- Pt/Ir lead wires suitable for welding
- Temperature range -40°C to +250°C

APPLICATIONS

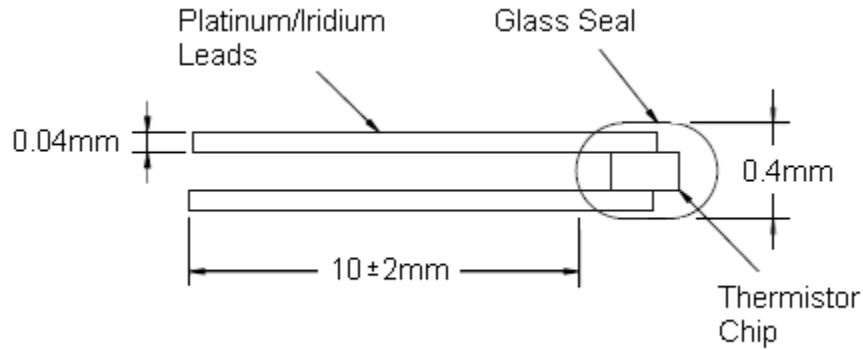
- Air flow detection systems
- Blood analysis
- Liquid level sensing
- Platen Temperature sensing
- Medical Catheter devices
- Fluid flow sensing

PERFORMANCE SPECS

Parameters	Units	Value
Resistance @ +25°C	Ohms	10,000
Resistance tolerance @25°C	%	± 20
Beta Value 25/85	K	3499
Dissipation Constant in still air	mW/°C	0.15
Time response in still air	Second	< 1

Miniature Radial Glass Thermistor

MECHANICAL DETAILS



RESISTANCE V TEMPERATURE TABLE

Temp. °C	Ohms
----------	------

-40	218,691
-39	206,347
-38	194,779
-37	183,931
-36	173,757
-35	164,209
-34	155,245
-33	146,828
-32	138,919
-31	131,485
-30	124,495
-29	117,920
-28	111,734
-27	105,909
-26	100,425
-25	95,258
-24	90,389
-23	85,798
-22	81,468
-21	77,384
-20	73,529
-19	69,889
-18	66,452
-17	63,204
-16	60,135
-15	57,233

Temp. °C	Ohms
----------	------

-14	54,488
-13	51,892
-12	49,435
-11	47,108
-10	44,906
-9	42,819
-8	40,841
-7	38,967
-6	37,189
-5	35,503
-4	33,904
-3	32,385
-2	30,944
-1	29,575
0	28,275
1	27,039
2	25,865
3	24,748
4	23,686
5	22,676
6	21,715
7	20,799
8	19,928
9	19,098
10	18,307
11	17,554

Temp. °C	Ohms
----------	------

12	16,836
13	16,151
14	15,498
15	14,875
16	14,281
17	13,713
18	13,172
19	12,655
20	12,161
21	11,689
22	11,238
23	10,806
24	10,394
25	10,000
26	9,623
27	9,262
28	8,917
29	8,586
30	8,270
31	7,967
32	7,676
33	7,398
34	7,131
35	6,876
36	6,631
37	6,396

Temp. °C	Ohms
----------	------

38	6,170
39	5,954
40	5,746
41	5,547
42	5,356
43	5,172
44	4,996
45	4,827
46	4,664
47	4,507
48	4,357
49	4,212
50	4,073
51	3,940
52	3,811
53	3,687
54	3,568
55	3,454
56	3,343
57	3,237
58	3,135
59	3,036
60	2,941
61	2,850
62	2,761
63	2,676

Miniature Radial Glass Thermistor

64	2,594
65	2,515
66	2,439
67	2,366
68	2,295
69	2,226
70	2,160
71	2,096
72	2,035
73	1,975
74	1,918
75	1,862
76	1,809
77	1,757
78	1,707
79	1,658
80	1,612
81	1,566
82	1,523
83	1,480
84	1,439
85	1,400
86	1,361
87	1,324
88	1,288
89	1,254
90	1,220
91	1,188
92	1,156
93	1,125
94	1,096
95	1,067
96	1,039
97	1,012
98	986
99	961
100	936
101	913
102	889
103	867
104	845
105	824
106	804
107	784
108	765
109	746
110	728

111	710
112	693
113	676
114	660
115	645
116	629
117	614
118	600
119	586
120	572
121	559
122	546
123	534
124	522
125	510
126	498
127	487
128	476
129	466
130	455
131	445
132	435
133	426
134	417
135	408
136	399
137	390
138	382
139	374
140	366
141	358
142	350
143	343
144	336
145	329
146	322
147	316
148	309
149	303
150	297
151	291
152	285
153	279
154	274
155	268
156	263
157	258

158	253
159	248
160	243
161	238
162	234
163	229
164	225
165	220
166	216
167	212
168	208
169	204
170	201
171	197
172	193
173	190
174	186
175	183
176	179
177	176
178	173
179	170
180	167
181	164
182	161
183	158
184	155
185	153
186	150
187	147
188	145
189	142
190	140
191	138
192	135
193	133
194	131
195	128
196	126
197	124
198	122
199	120
200	118
201	116
202	114
203	112
204	111

205	109
206	107
207	105
208	104
209	102
210	100
211	99
212	97
213	96
214	94
215	93
216	91
217	90
218	89
219	87
220	86
221	85
222	83
223	82
224	81
225	80
226	78
227	77
228	76
229	75
230	74
231	73
232	72
233	71
234	70
235	69
236	68
237	67
238	66
239	65
240	64
241	63
242	62
243	61
244	60
245	60
246	59
247	58
248	57
249	56
250	56

Miniature Radial Glass Thermistor

ORDERING INFORMATION

Part Number	Description	Ω @25°C	MOQ
GR10KM3499J15	Miniature Radial Glass Thermistor	10,000	1,000*

* For quantities less than Minimum Order Quantity – Contact Distribution

NORTH AMERICA

Measurement Specialties, Inc.
910 Turnpike Road
Shrewsbury, MA 01545
Tel: 1-508-842-0516
Fax: 1-508-842-0342

Sales email:
temperature.sales.amer@meas-spec.com

EUROPE

Measurement Specialties, Inc
Ballybrit Business Park
Galway Ireland
Tel: +353-91-753238
Fax: +353-91-770789

Sales email:
temperature.sales.emea@meas-spec.com

ASIA

Measurement Specialties (China) Ltd.
No. 26 Langshan Road
Shenzhen High-Tech Park (North)
Nanshan District, Shenzhen 51807
China
Tel: +86 (0) 755 33305088
Fax: +86 (0) 755 33305099

Sales email:
temperature.sales.asia@meas-spec.com

The information in this sheet has been carefully reviewed and is believed to be accurate; however, no responsibility is assumed for inaccuracies. Furthermore, this information does not convey to the purchaser of such devices any license under the patent rights to the manufacturer. Measurement Specialties, Inc. reserves the right to make changes without further notice to any product herein. Measurement Specialties, Inc. makes no warranty, representation or guarantee regarding the suitability of its product for any particular purpose, nor does Measurement Specialties, Inc. assume any liability arising out of the application or use of any product or circuit and specifically disclaims any and all liability, including without limitation consequential or incidental damages. Typical parameters can and do vary in different applications. All operating parameters must be validated for each customer application by customer's technical experts. Measurement Specialties, Inc. does not convey any license under its patent rights nor the rights of others.