

Miniature Radial Glass Thermistor



- Glass hermetic encapsulation with high resistance to humid environments
- Wide operating temperature range
- High stability
- Fast response time
- RoHS Compliant

DESCRIPTION

The NTC Chip hermetically sealed in a miniature glass encapsulation package

FEATURES

- Hermetically sealed glass package
- High stability at elevated temperatures
- Available in $\pm 20\%$ tolerance @ +25°C
- Fast time response
- Pt/Ir lead wires suitable for welding
- Temperature range -40°C to +250°C

APPLICATIONS

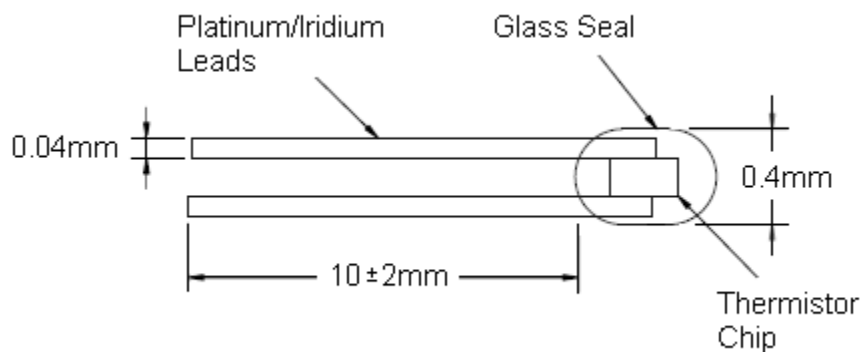
- Air flow detection systems
- Blood analysis
- Liquid level sensing
- Platen Temperature sensing
- Medical Catheter devices
- Fluid flow sensing

PERFORMANCE SPECS

Parameters	Units	Value
Resistance @ +25°C	Ohms	5,000
Resistance tolerance @25°C	%	± 20
Beta Value 25/85	K	3348
Dissipation Constant in still air	mW/°C	0.15
Time response in still air	Second	< 1

Miniature Radial Glass Thermistor

MECHANICAL DETAILS



RESISTANCE V TEMPERATURE TABLE

Temp. °C	Ohms
----------	------

-40	93,473.7
-39	88,483.5
-38	83,790.6
-37	79,375.4
-36	75,220.1
-35	71,307.9
-34	67,623.1
-33	64,151.2
-32	60,878.7
-31	57,793.1
-30	54,882.6
-29	52,136.3
-28	49,544.1
-27	47,096.3
-26	44,784.3
-25	42,599.6
-24	40,534.5
-23	38,582.0
-22	36,735.1
-21	34,987.6
-20	33,333.7
-19	31,767.7
-18	30,284.6
-17	28,879.4
-16	27,547.8
-15	26,285.3

Temp. °C	Ohms
----------	------

-14	25,088.1
-13	23,952.5
-12	22,874.9
-11	21,852.0
-10	20,880.8
-9	19,958.5
-8	19,082.2
-7	18,249.4
-6	17,457.8
-5	16,705.1
-4	15,989.1
-3	15,308.0
-2	14,659.7
-1	14,042.6
0	13,455.0
1	12,895.3
2	12,362.1
3	11,853.9
4	11,369.5
5	10,907.6
6	10,467.1
7	10,046.8
8	9,645.8
9	9,263.0
10	8,897.5
11	8,548.5

Temp. °C	Ohms
----------	------

12	8,215.1
13	7,896.6
14	7,592.2
15	7,301.2
16	7,022.9
17	6,756.8
18	6,502.2
19	6,258.6
20	6,025.5
21	5,802.3
22	5,588.6
23	5,383.9
24	5,187.9
25	5,000.0
26	4,819.9
27	4,647.3
28	4,481.9
29	4,323.1
30	4,170.9
31	4,024.8
32	3,884.7
33	3,750.1
34	3,620.9
35	3,496.9
36	3,377.8
37	3,263.3

Temp. °C	Ohms
----------	------

38	3,153.4
39	3,047.7
40	2,946.1
41	2,848.4
42	2,754.5
43	2,664.1
44	2,577.2
45	2,493.6
46	2,413.2
47	2,335.7
48	2,261.1
49	2,189.3
50	2,120.2
51	2,053.5
52	1,989.3
53	1,927.5
54	1,867.9
55	1,810.4
56	1,755.0
57	1,701.6
58	1,650.0
59	1,600.3
60	1,552.4
61	1,506.1
62	1,461.4
63	1,418.3

Miniature Radial Glass Thermistor

64	1,376.7
65	1,336.4
66	1,297.6
67	1,260.1
68	1,223.9
69	1,188.8
70	1,155.0
71	1,122.3
72	1,090.7
73	1,060.1
74	1,030.5
75	1,001.9
76	974.2
77	947.5
78	921.6
79	896.5
80	872.2
81	848.7
82	826.0
83	804.0
84	782.6
85	762.0
86	741.9
87	722.5
88	703.7
89	685.5
90	667.9
91	650.7
92	634.1
93	618.0
94	602.4
95	587.3
96	572.6
97	558.3
98	544.5
99	531.0
100	518.0
101	505.3
102	493.1
103	481.1
104	469.5
105	458.3
106	447.3
107	436.7
108	426.4
109	416.4
110	406.6

111	397.1
112	387.9
113	379.0
114	370.3
115	361.8
116	353.6
117	345.6
118	337.8
119	330.2
120	322.8
121	315.6
122	308.6
123	301.8
124	295.2
125	288.7
126	282.5
127	276.4
128	270.4
129	264.6
130	258.9
131	253.4
132	248.1
133	242.9
134	237.8
135	232.8
136	228.0
137	223.2
138	218.6
139	214.2
140	209.8
141	205.5
142	201.4
143	197.3
144	193.3
145	189.5
146	185.7
147	182.0
148	178.4
149	174.9
150	171.5
151	168.2
152	164.9
153	161.7
154	158.6
155	155.6
156	152.6
157	149.7

158	146.9
159	144.1
160	141.4
161	138.8
162	136.2
163	133.7
164	131.3
165	128.8
166	126.5
167	124.2
168	121.9
169	119.8
170	117.6
171	115.5
172	113.4
173	111.4
174	109.5
175	107.5
176	105.7
177	103.8
178	102.0
179	100.2
180	98.5
181	96.8
182	95.2
183	93.6
184	92.0
185	90.4
186	88.9
187	87.4
188	86.0
189	84.5
190	83.1
191	81.8
192	80.4
193	79.1
194	77.8
195	76.6
196	75.3
197	74.1
198	72.9
199	71.8
200	70.6
201	69.5
202	68.4
203	67.3
204	66.3

205	65.3
206	64.2
207	63.2
208	62.3
209	61.3
210	60.4
211	59.5
212	58.6
213	57.7
214	56.8
215	56.0
216	55.1
217	54.3
218	53.5
219	52.7
220	51.9
221	51.2
222	50.4
223	49.7
224	49.0
225	48.3
226	47.6
227	46.9
228	46.2
229	45.6
230	44.9
231	44.3
232	43.7
233	43.1
234	42.5
235	41.9
236	41.3
237	40.7
238	40.2
239	39.6
240	39.1
241	38.5
242	38.0
243	37.5
244	37.0
245	36.5
246	36.0
247	35.5
248	35.1
249	34.6
250	34.2

Miniature Radial Glass Thermistor

ORDERING INFORMATION

Part Number	Description	Ω @25°C	MOQ
GR5KM3348J15	Miniature Radial Glass Thermistor	5,000	1,000*

* For quantities less than Minimum Order Quantity – Contact Distribution

NORTH AMERICA

Measurement Specialties, Inc.
910 Turnpike Road
Shrewsbury, MA 01545
Tel: 1-508-842-0516
Fax: 1-508-842-0342

Sales email:

temperature.sales.amer@meas-spec.com

EUROPE

Measurement Specialties, Inc
Ballybrit Business Park
Galway Ireland
Tel: +353-91-753238
Fax: +353-91-770789

Sales email:

temperature.sales.emea@meas-spec.com

ASIA

Measurement Specialties (China) Ltd.
No. 26 Langshan Road
Shenzhen High-Tech Park (North)
Nanshan District, Shenzhen 51807
China
Tel: +86 (0) 755 33305088
Fax: +86 (0) 755 33305099

Sales email:

temperature.sales.asia@meas-spec.com

The information in this sheet has been carefully reviewed and is believed to be accurate; however, no responsibility is assumed for inaccuracies. Furthermore, this information does not convey to the purchaser of such devices any license under the patent rights to the manufacturer. Measurement Specialties, Inc. reserves the right to make changes without further notice to any product herein. Measurement Specialties, Inc. makes no warranty, representation or guarantee regarding the suitability of its product for any particular purpose, nor does Measurement Specialties, Inc. assume any liability arising out of the application or use of any product or circuit and specifically disclaims any and all liability, including without limitation consequential or incidental damages. Typical parameters can and do vary in different applications. All operating parameters must be validated for each customer application by customer's technical experts. Measurement Specialties, Inc. does not convey any license under its patent rights nor the rights of others.