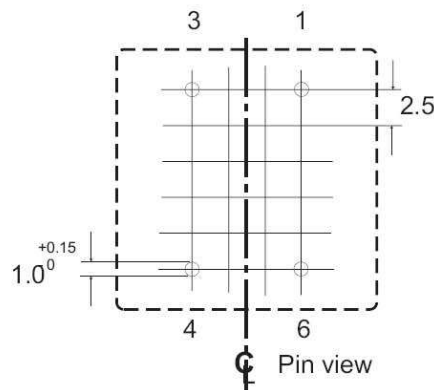
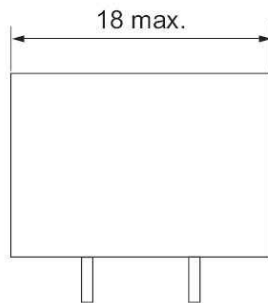
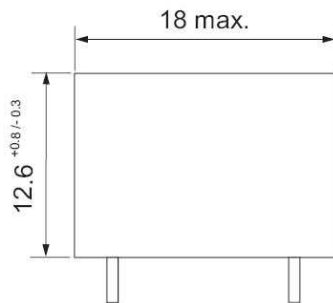
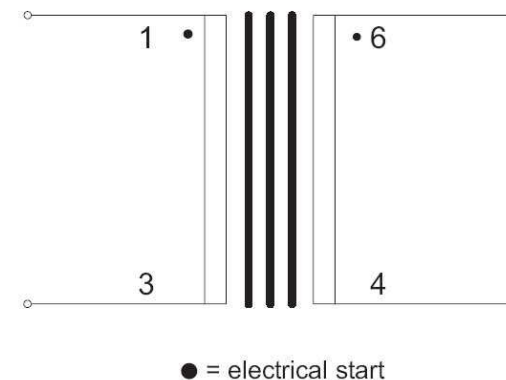




XZZ = date code



Tolerance on all hole positions +/- 0.2mm  
Pin diameter = 0.6mm

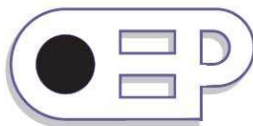


**Electrical Specification:**

- Primary DC resistance: 63.0Ω (+/- 15%) (pins 1 - 3)
- Secondary DC resistance: 72.5Ω (+/- 15%) (pins 6 - 4)
- Inductance, measured at 0.274V, 100Hz
- Primary: >12H
- Impedance: 600 ohms to 600 ohms
- Return loss (200Hz - 4kHz): >20dB
- Insertion loss @1kHz: 0.8dB (nom.)
- Frequency response: 100Hz - 4kHz, +/- 0.1dB
- Harmonic distortion @ 400Hz, -88dB (nom.)  
@ 600Hz, -91dB (nom.)
- Leakage inductance: 2.8mH (nom.)
- Hi-pot, primary to secondary: 3.75kV
- Storage temperature range: -25°C to +85°C

Approved to EN60950-1:2002

Do not pass DC through windings



**Walters OEP Ltd.**  
Unit 5, Oxonian Park, Langford Locks,  
Kidlington, Oxfordshire. OX5 1FP  
Tel: (01865) 855085 Fax: (01865) 855075  
Website: www.oep.co.uk

DESCRIPTION	ISSUE	DATE	DRAWN	CHECKED	DRAWING NUMBER
600Ω 56k line isolating transformer	1	13/06/02	CS		<b>Z1656/4</b>
	3	21/06/05	CS		
	4	07/11/05	CS		
	5	02/03/07	CS		
	Scale: 2:1	All dimensions in mm unless stated otherwise			