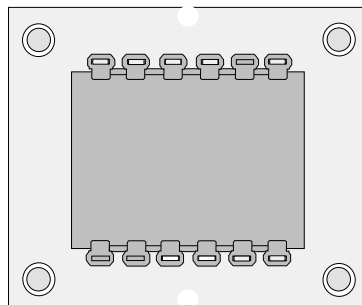
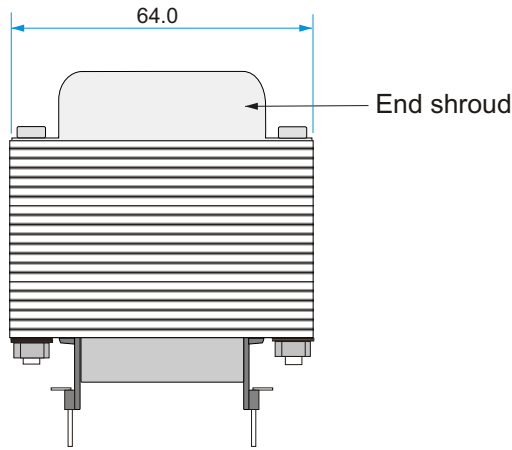
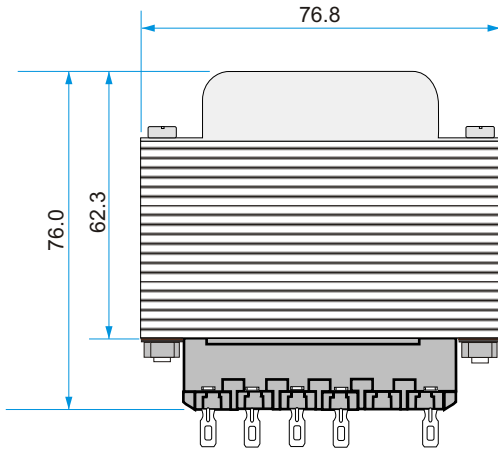
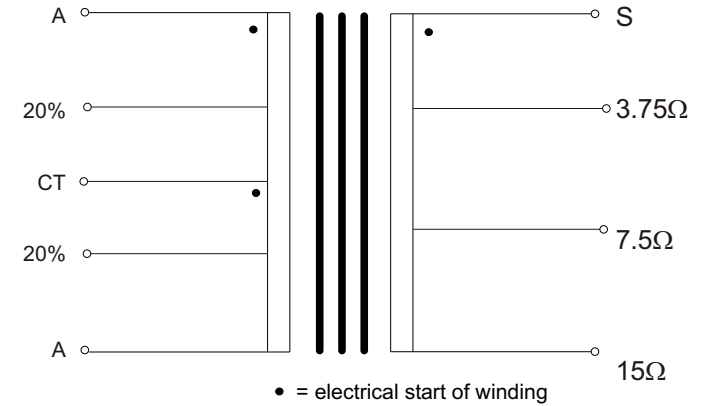


YYWW = date code



Specification:

Impedance ratio:
 Primary: 6.6k C.T. with 20% UL taps (reference CT)
 Secondary: 3.75 / 7.5 / 15 ohms

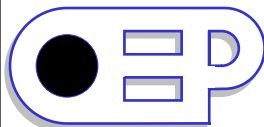
DC resistance (Ω +/- 15%)
 Primary (total): 338.7
 Secondary (total): 527m

Primary inductance @ 1kHz, 0.1V: 46H
 Primary leakage inductance @ 1kHz, 0.1V: 13mH (typical)
 Interwinding capacitance @ 20kHz: 1.6nF (typical)

Frequency response (+/- 3dB): 20Hz - 25kHz

Max. load at 20Hz: 15W

Core material: grain orientated silicon steel
 Mass: 1.375kg



Walters Group Holdings Ltd.
 Unit 5, Oxonian Park, Langford Locks,
 Kidlington, Oxfordshire. OX5 1FP
 Tel: (01865) 855085 Fax: (01865) 855075
 Website: www.oep.co.uk

DESCRIPTION	ISSUE	DATE	DRAWN	CHECKED	DRAWING NUMBER
15W push-pull output transformer	1	09/01/13	CS		T29A02F
	2	27/09/13	CS		
Scale: nts					
All dimensions in mm unless stated otherwise					