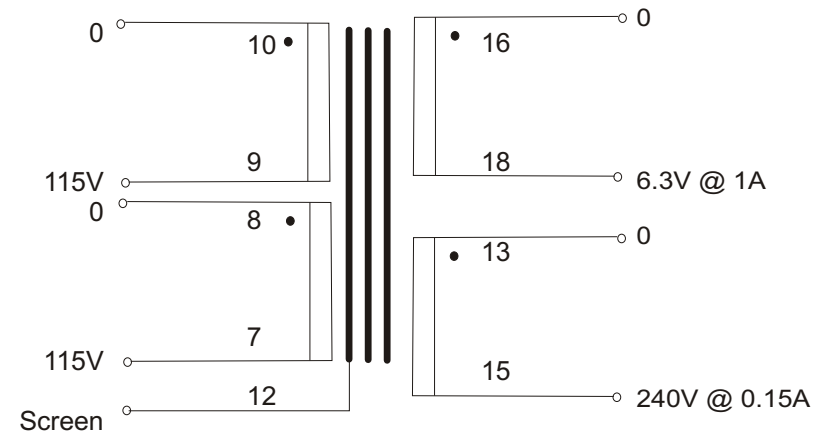
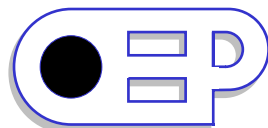


Label  
YY WW = date code



**Electrical specification:**

Input: 115V + 115V, 50/60Hz  
 Magnetising current @ 230V, 50Hz: 80mA nominal  
 Open circuit outputs:  
 Output 1 (+/- 5%): 7.2V  
 Output 2 (+/- 5%): 271V  
 Full load outputs  
 Output 1: 6.3V @ 1A  
 Output 2: 240V @ 0.15A  
 Isolation: Screen to all windings: 2kV rms  
                   primaries to secondaries: 3kV rms  
 Temperature rise above ambient: 36°C  
 Regulation: 12.5% (typical)  
 Mass: 1.0kg  
**The screen must be earthed.**



**Walters Group Holdings Ltd.**  
 Unit 5, Oxonian Park, Langford Locks,  
 Kidlington, Oxfordshire. OX5 1FP  
 Tel: (01865) 855085 Fax: (01865) 855075  
 Website: www.oep.co.uk

DESCRIPTION	ISSUE	DATE	DRAWN	CHECKED	DRAWING NUMBER
Specification for D29240F/1	1	28/04/11	CS		<b>D29240F/1</b>

Scale: nts

All dimensions in mm unless stated otherwise