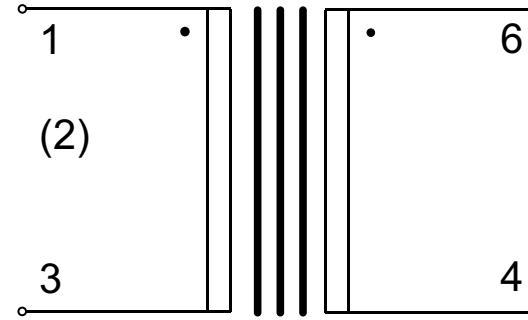




Top view

YY WW = date code

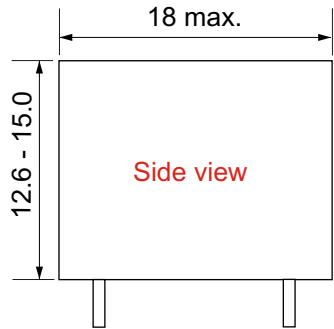
Z1662E



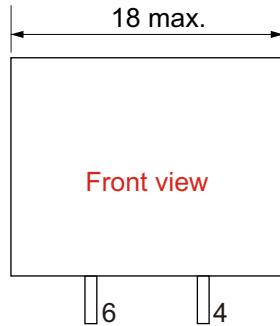
Electrical schematic

● = electrical start

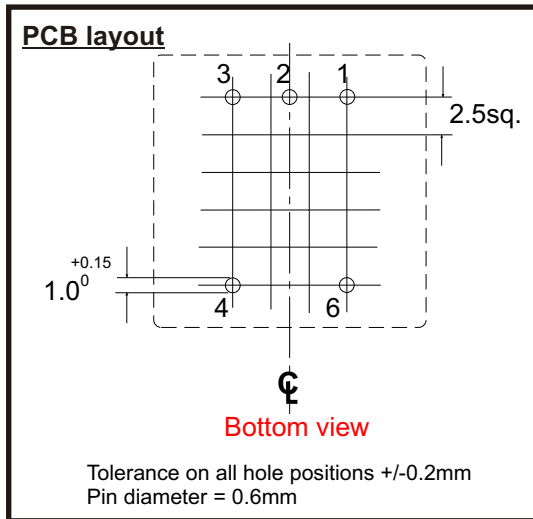
Pin 2 is fitted for orientation only.



Side view



Front view



Bottom view

Tolerance on all hole positions +/-0.2mm
Pin diameter = 0.6mm

Specification:

Turns ratio: 1:1.5

Primary DC resistance: 50Ω +/-15%

Secondary DC resistance: 147Ω +/-15%

Primary impedance: 600Ω

Inductance, measured at 0.10V, 100Hz, series equivalent

Primary: 2.6H min.

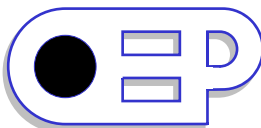
Primary leakage inductance @ 1kHz, 0.10V: 1.7mH (typical)

Interwinding capacitance @ 10kHz, 0.1V: 9.7pF (typical)

Hi-pot, primary to secondary: 3kVAC for 2 seconds

Operating temperature range: -20 to + 75°C

Storage temperature range: -40°C to +125°C



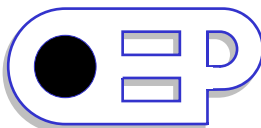
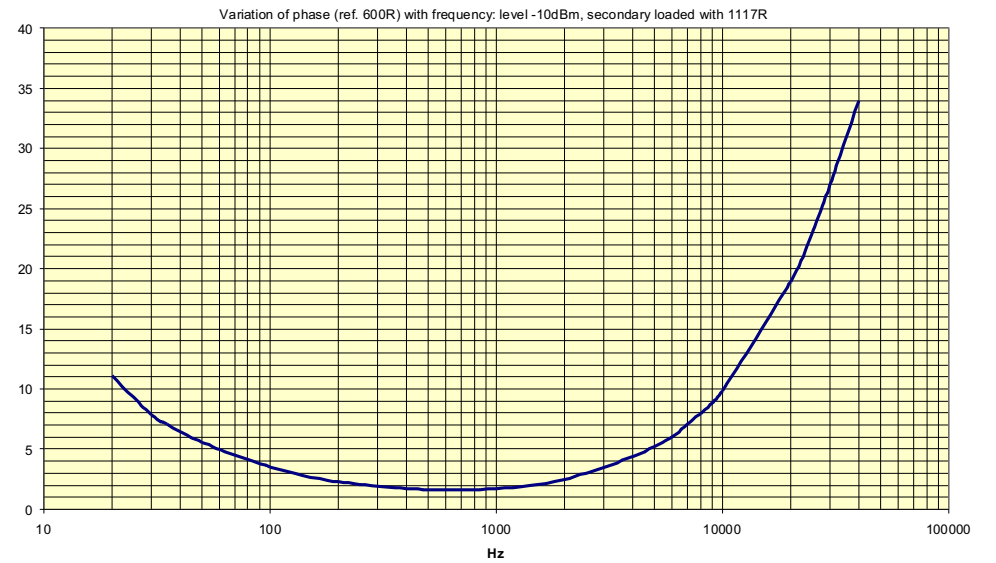
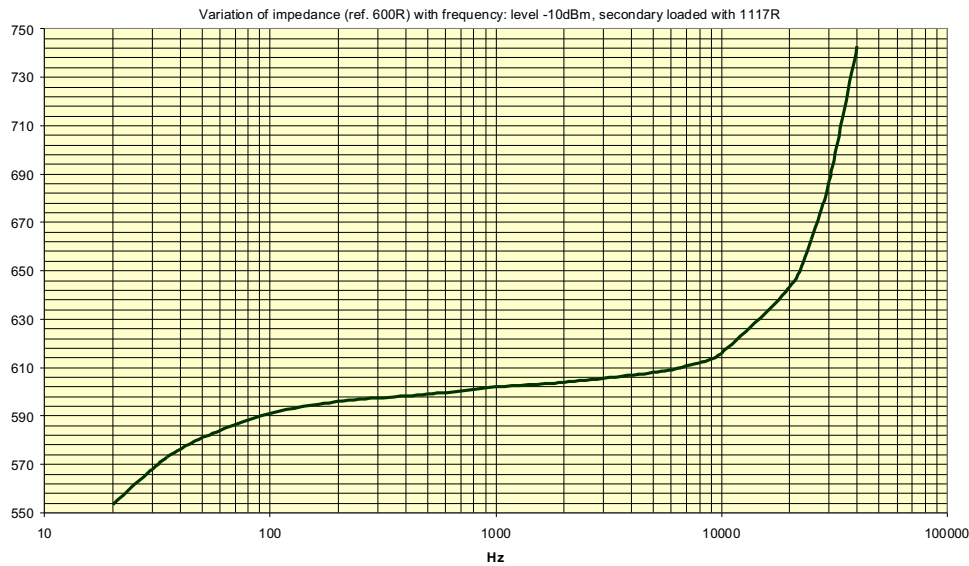
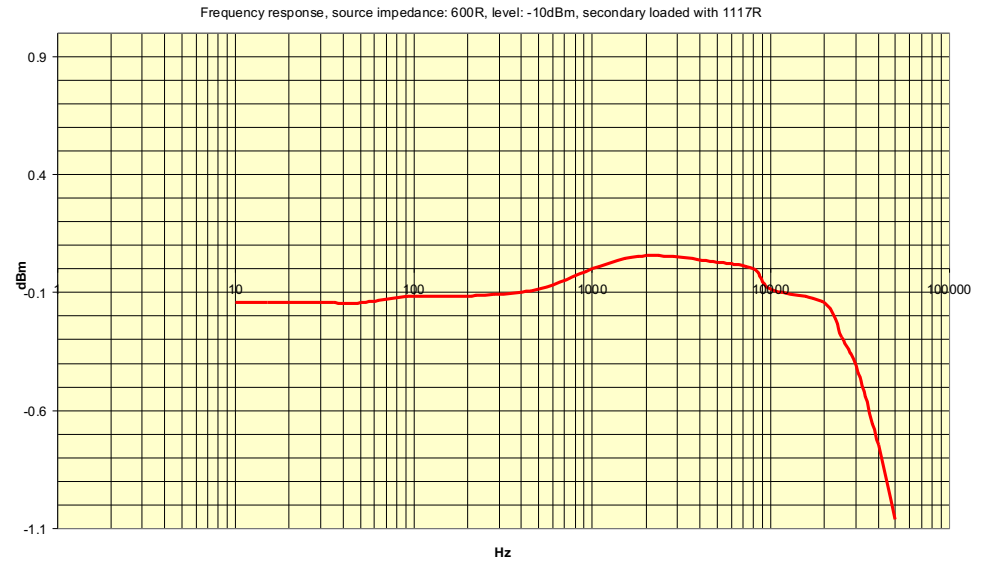
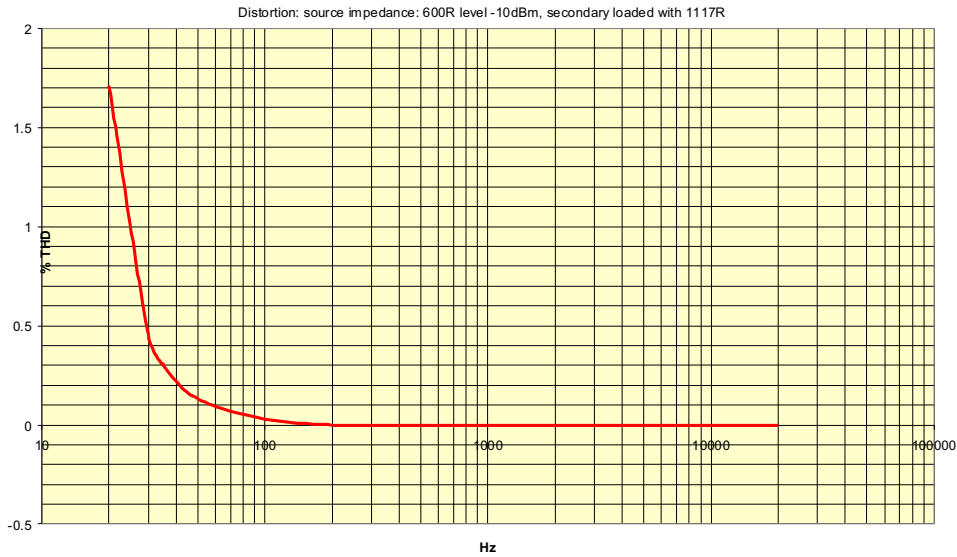
Walters Group Holdings Ltd.

Unit 5, Oxonian Park, Langford Locks,
Kidlington, Oxfordshire. OX5 1FP
Tel: (01865) 855085 Fax: (01865) 855075
Website: www.oep.co.uk

DESCRIPTION	ISSUE	DATE	DRAWN	CHECKED	DRAWING NUMBER
Specification for Z1662E page 1 of 3	1	19/08/13	CS		Z1662E

Scale: 2 to 1

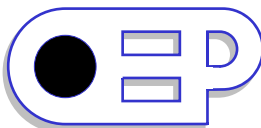
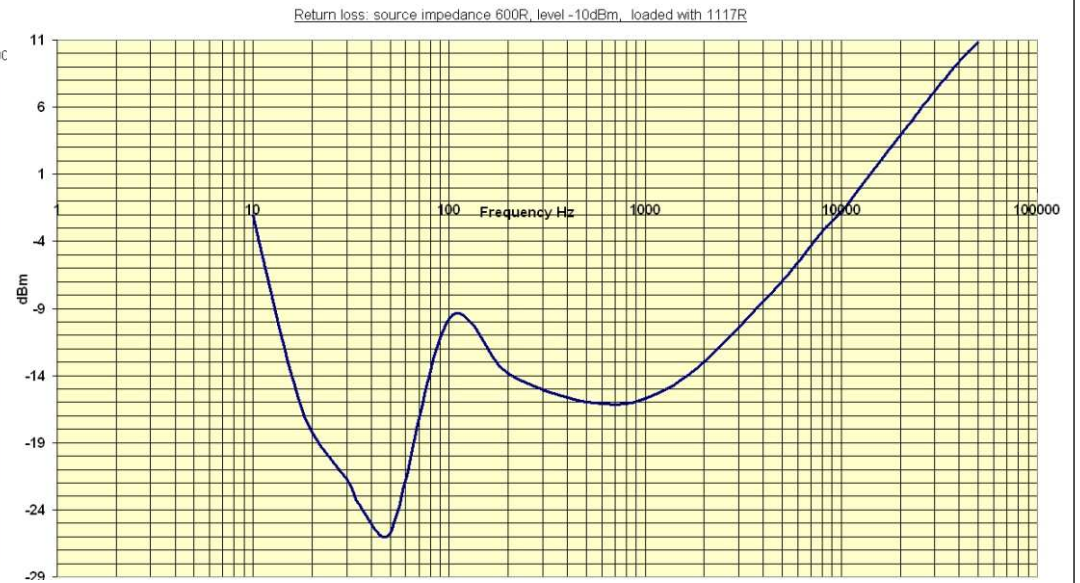
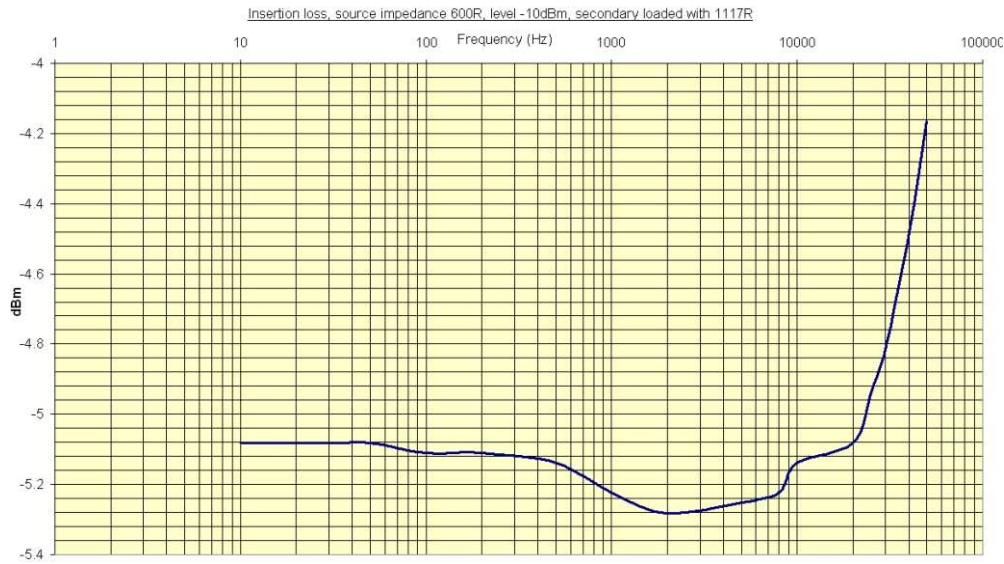
All dimensions in mm unless stated otherwise



Walters Group Holdings Ltd.
 Unit 5, Oxonian Park, Langford Locks,
 Kidlington, Oxfordshire. OX5 1FP
 Tel: (01865) 855085 Fax: (01865) 855075
 Website: www.oep.co.uk

DESCRIPTION	ISSUE	DATE	DRAWN	CHECKED	DRAWING NUMBER
Specification for Z1662E page 2 of 3	1	19/08/13	CS		Z1662E

Scale: 2 to 1 All dimensions in mm unless stated otherwise



Walters Group Holdings Ltd.
 Unit 5, Oxonian Park, Langford Locks,
 Kidlington, Oxfordshire. OX5 1FP
 Tel: (01865) 855085 Fax: (01865) 855075
 Website: www.oep.co.uk

DESCRIPTION	ISSUE	DATE	DRAWN	CHECKED	DRAWING NUMBER
Specification for Z1662E page 3 of 3	1	19/08/13	CS		Z1662E

Scale: 2 to 1

All dimensions in mm unless stated otherwise