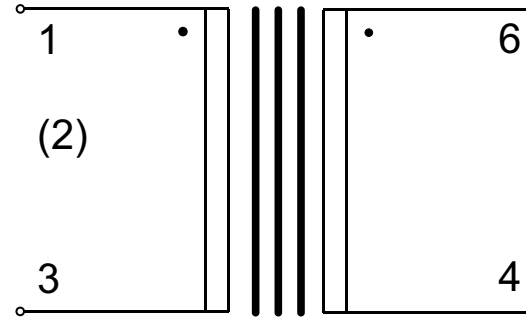




YY WW = date code

Top view



Electrical schematic

● = electrical start

Pin 2 is fitted for orientation only.

Specification:

Turns ratio: 1:2

Primary DC resistance: $50\Omega \pm 15\%$

Secondary DC resistance: $256\Omega \pm 15\%$

Primary impedance: 600Ω

Inductance, measured at 0.10V, 1kHz, series equivalent

Primary: 2.6H min.

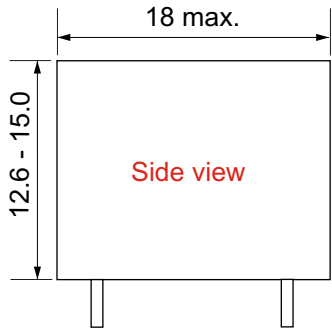
Primary leakage inductance @ 1kHz, 0.10V: 1.8mH (typical)

Interwinding capacitance @ 10kHz, 0.1V: 9.6pF (typical)

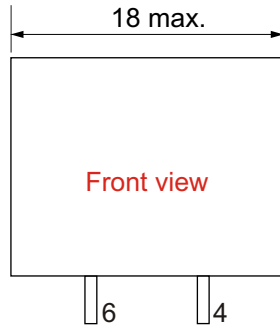
Hi-pot, primary to secondary: 3kVAC for 2 seconds

Operating temperature range: -20 to $+75^\circ\text{C}$

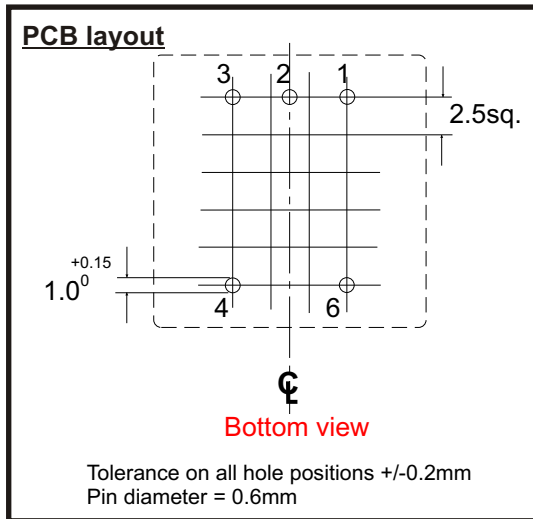
Storage temperature range: -40°C to $+125^\circ\text{C}$



Side view

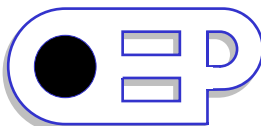


Front view



Bottom view

Tolerance on all hole positions $\pm 0.2\text{mm}$
Pin diameter = 0.6mm



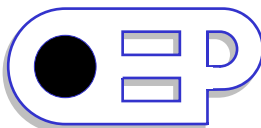
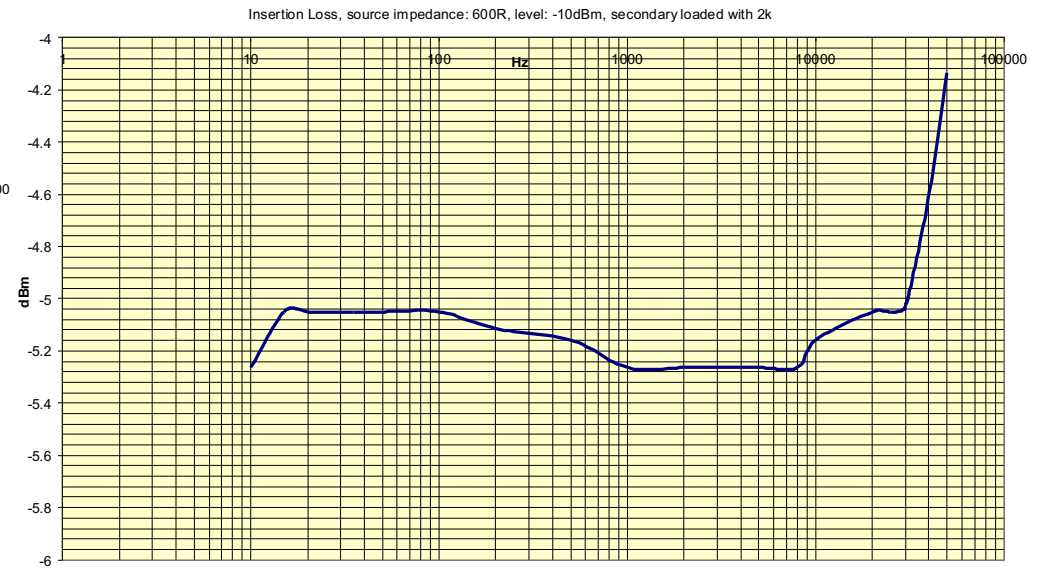
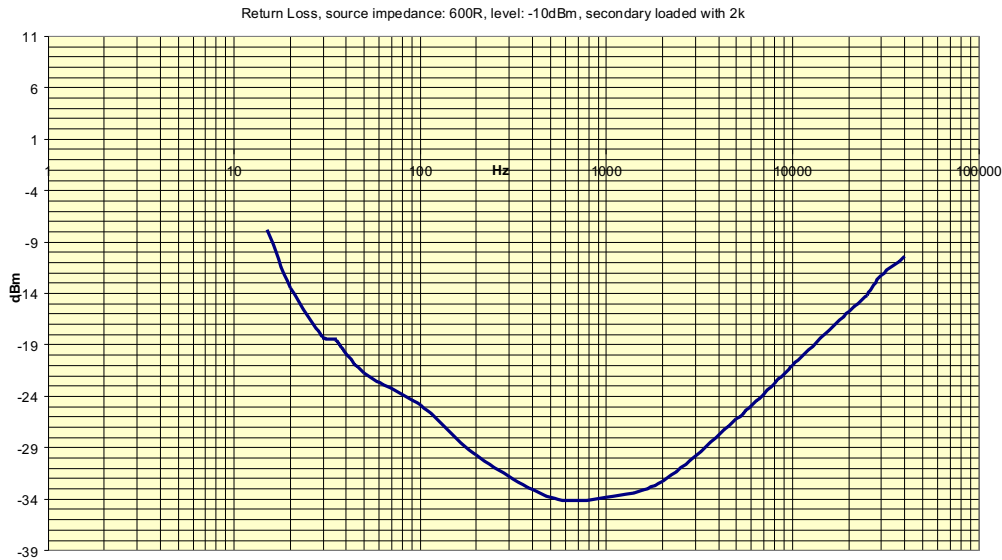
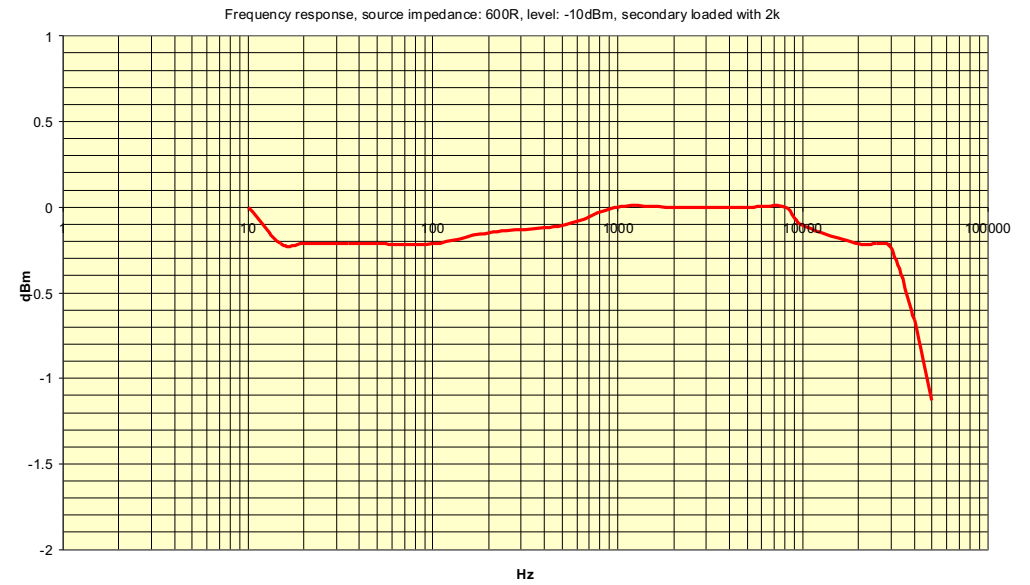
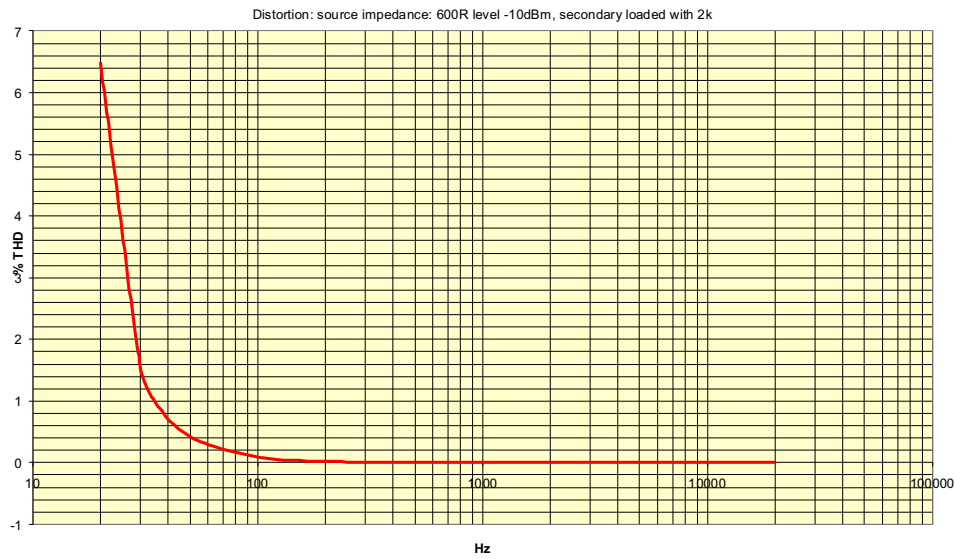
Walters Group Holdings Ltd.

Unit 5, Oxonian Park, Langford Locks,
Kidlington, Oxfordshire. OX5 1FP
Tel: (01865) 855085 Fax: (01865) 855075
Website: www.oep.co.uk

| DESCRIPTION | ISSUE | DATE | DRAWN | CHECKED | DRAWING NUMBER |
|---|-------|----------|-------|---------|----------------|
| Specification for Z1663E page 1 of 3 | 1 | 19/08/13 | CS | | Z1663E |
| | | | | | |
| | | | | | |

Scale: 2 to 1

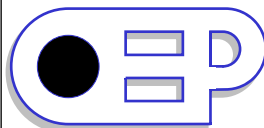
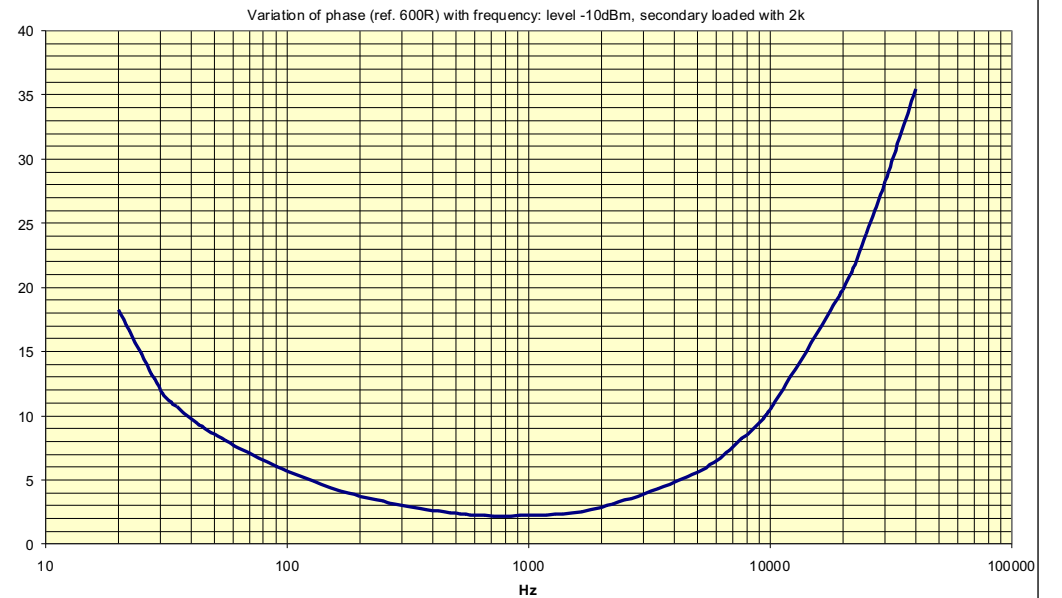
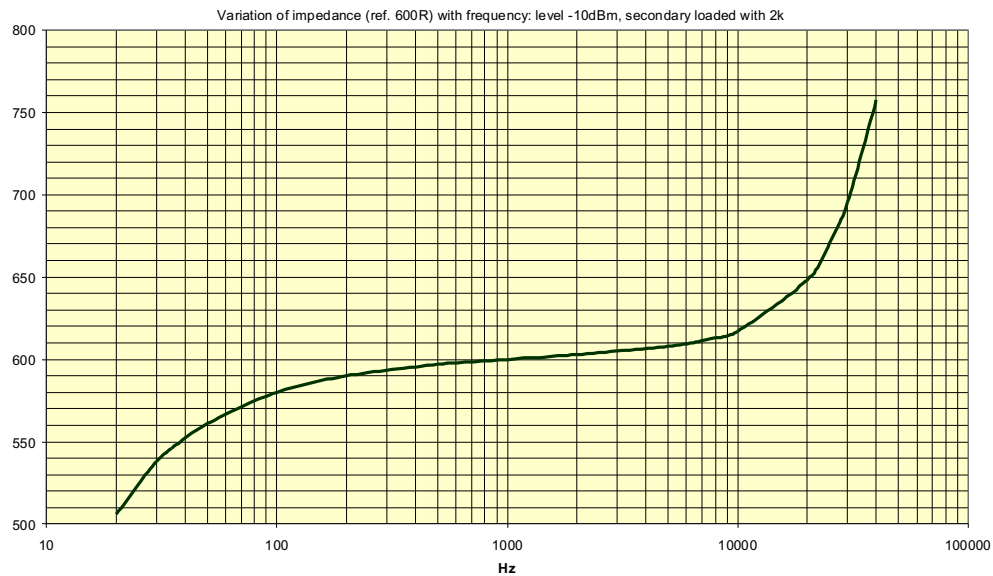
All dimensions in mm unless stated otherwise



Walters Group Holdings Ltd.
 Unit 5, Oxonian Park, Langford Locks,
 Kidlington, Oxfordshire. OX5 1FP
 Tel: (01865) 855085 Fax: (01865) 855075
 Website: www.oep.co.uk

| DESCRIPTION | ISSUE | DATE | DRAWN | CHECKED | DRAWING NUMBER |
|---|-------|----------|-------|---------|----------------|
| Specification for Z1663E page 2 of 3 | 1 | 19/08/13 | CS | | Z1663E |
| | | | | | |
| | | | | | |

Scale: 2 to 1 All dimensions in mm unless stated otherwise



Walters Group Holdings Ltd.
 Unit 5, Oxonian Park, Langford Locks,
 Kidlington, Oxfordshire. OX5 1FP
 Tel: (01865) 855085 Fax: (01865) 855075
 Website: www.oep.co.uk

| DESCRIPTION | ISSUE | DATE | DRAWN | CHECKED | DRAWING NUMBER |
|---|-------|----------|-------|---------|----------------|
| Specification for Z1663E page 3 of 3 | 1 | 19/08/13 | CS | | Z1663E |
| | | | | | |
| | | | | | |

Scale: 2 to 1 All dimensions in mm unless stated otherwise