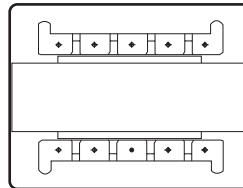
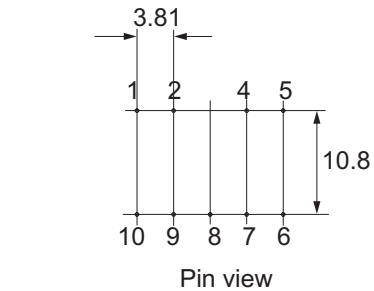
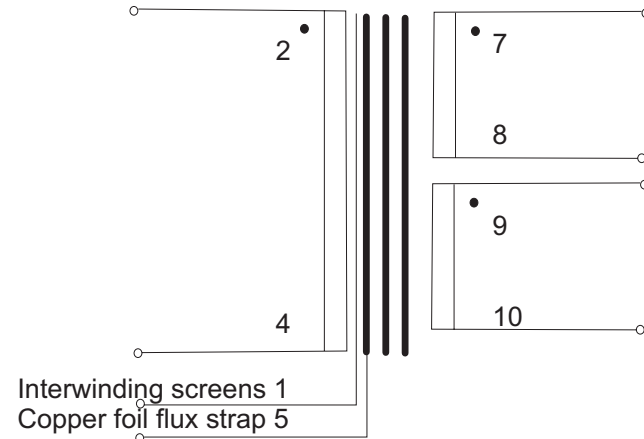
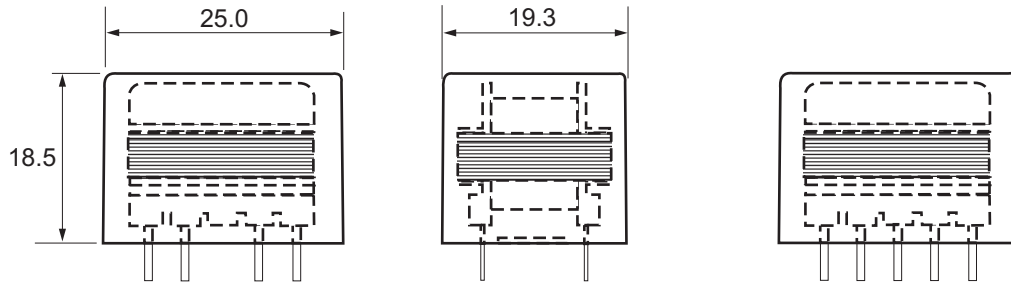


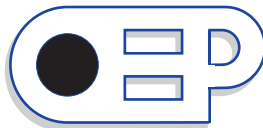
This device is intended for line level input stages (10kΩ - 20kΩ bridging)



Turns ratio	1: 0.50 + 0.50		
Weight	45g		
Optimum secondary load (parallel)	100k//2n7 series 2k70		
	Min.	Typ.	Max.
Primary DC resistance (pins 4 - 2)		1k8Ω	
Secondary 1 DC resistance (pins 7 - 8)		715Ω	
Secondary 2 DC resistance (pins 9 - 10)		1k1Ω	
LF -3dB point *		5Hz	10Hz
HF -3dB point *	80kHz	100kHz	
40Hz max level (3% THD)	+22dBu	+23dBu	
THD (-10dBu, 1kHz)		0.003%	0.006%
CMRR (10kHz) *	60dB	85dB	
CMRR (50Hz) *	130dB		

Tolerance on all dimensions +/-0.2 unless stated otherwise
 Pin diameter = 0.71mm
 Pin 6 has no connection
 Pin 3 is removed for orientation.

* With secondaries in parallel and optimum termination, screen and case (pins 1 and 5) grounded. Unused pins should be left floating with minimal pad size for best performance.



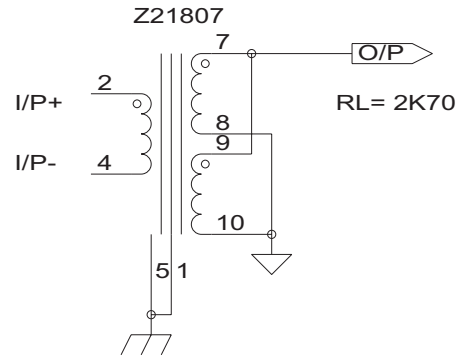
Walters Group Holdings Ltd.
 Unit 5, Oxonian Park, Langford Locks,
 Kidlington, Oxfordshire. OX5 1FP
 Tel: (01865) 855085 Fax: (01865) 855075
 Website: www.oep.co.uk

DESCRIPTION	ISSUE	DATE	DRAWN	CHECKED	DRAWING NUMBER
Specification for Z21807C page 1 of 2	1	10/05/06	CS		Z21807C
	2	06/06/08	CS		
	3	15/07/08	CS		
Scale: nts	All dimensions in mm unless stated otherwise				

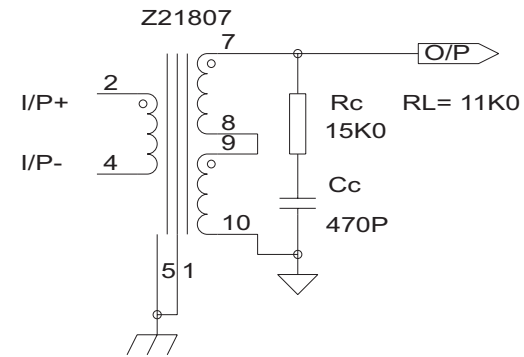


LOW IMPEDANCE LOAD

1:0.5 (-6dB) CONNECTION
INSERTION LOSSN -2.8dB

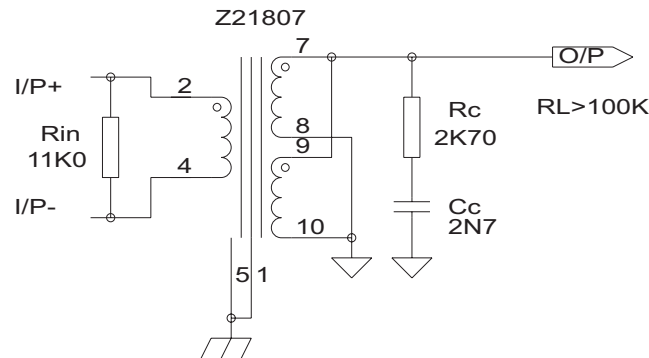


1:1 CONNECTION
INSERTION LOSS -3.5dB

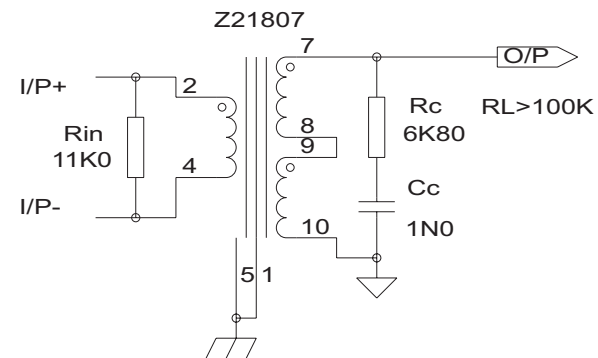


HIGH IMPEDANCE LOAD
INSERTION LOSS <0.5dB

1:0.5 (-6dB) CONNECTION



1:1 CONNECTION



Walters Group Holdings Ltd.
Unit 5, Oxonian Park, Langford Locks,
Kidlington, Oxfordshire. OX5 1FP
Tel: (01865) 855085 Fax: (01865) 855075
Website: www.oep.co.uk

DESCRIPTION	ISSUE	DATE	DRAWN	CHECKED	DRAWING NUMBER
Z21807C applications page 2 of 2	1	10/05/06	CS		Z21807C
	2	06/06/08	CS		
	3	15/07/08	CS		
	4	07/06/10	CS		

Scale: nts

All dimensions in mm unless stated otherwise