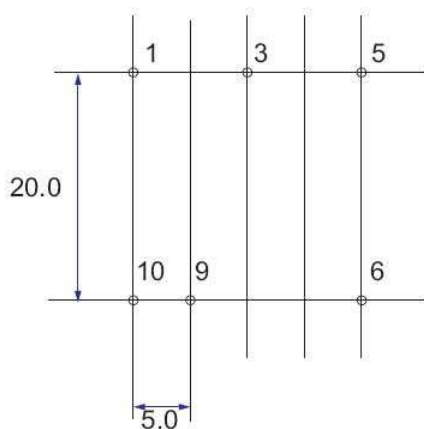
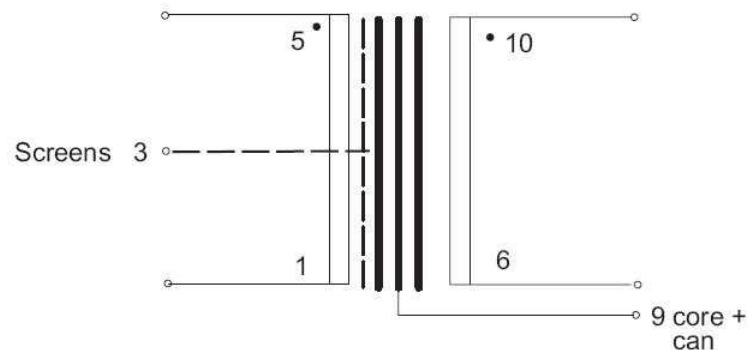


Label
XZZ = date code



Pin view

Mass = 0.045kg
Pin diameter = 0.80mm



Electrical specification:

Ratio: 1 to 1
 Source impedance: 600Ω
 Optimum load impedance: 600Ω
 Frequency range: 20Hz - 20kHz, +/- 0.2dB
 THD: < 1% at + 20dB
 Common mode rejection ratio: < -60dB @ 10kHz
 Primary DC resistance: 30Ω +/- 15%
 Secondary DC resistance: 30Ω +/- 15%
 Nominal inductance: 390mH @ 100Hz, 0.27V

Operating temperature range: -20 to + 70°C
 Fitted with electrostatic screen and stray flux screen.

Mu-metal screening can reduces electrical noise by up to 30dB

10kΩ impedance version available. Part number Z3002E

<p>Walters OEP Ltd. Unit 5, Oxonian Park, Langford Locks, Kidlington, Oxfordshire. OX5 1FP Tel: (01865) 855085 Fax: (01865) 855075 Website: www.oep.co.uk</p>	DESCRIPTION				ISSUE	DATE	DRAWN	CHECKED	DRAWING NUMBER
	Specification for Z3001C				1	25/02/05	CS		Z3001C
					2	19/07/05	CS		
					3	22/02/06	CS		
					4	21/08/08	CS		
Scale: nts	All dimensions in mm unless stated otherwise								