



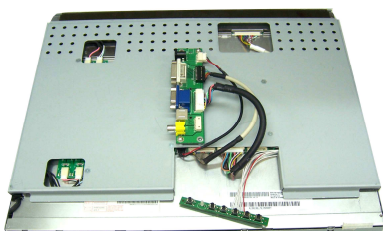
GEIA190AU-L05 19" LCD Mount monitors

BENEFITS :

- Designed to give state-of-the-art picture quality
- Analog RGB / DVI (Digital Video Interface) / VIDEO
- Full CRT multi-sync monitor compatibility
- Single control operated & transparent On-Screen-Display (hereafter 'OSD') user interface
- RS232 communication; remote control OSD function power on/off

SPECIFICATIONS

Model	GEIA190AU-L05
Case	Steel, AL(Optional)
Display Type	Size: 19.0" diagonal Type: Active matrix TFT LCD Aspect ratio: 5 x 4
Useful screen area	Horizontal: 376 mm Vertical: 301 mm
Monitor dimensions	Width: 398 mm Height: 324 mm Depth: 45 mm with Input Board
Optimal (native) resolution	1280 x 1024
Other supported resolutions	640 x 350 at 70Hz 640 x 400 at 70Hz 720 x 350 at 70Hz 720 x 400 at 70Hz 640 x 480 at 60~75Hz 800 x 600 at 60~75Hz 1024 x 768 at 60~75Hz 1152 x 864 at 60~75Hz 1280 x 960 at 60Hz 1280 x 1024 at 60~75Hz
Colors	16.7 million with dithering (8 bit)
Brightness LCD panel	300 cd/m2 (typical)
Response time	20 msec (typical)
Viewing angle (typical, from center)	Horizontal (left/right): ±89° or 178° total Vertical (up/down): ±89° or 178° total
Contrast ratio	1000:1 (typical)
Input video format	Analog RGB , DVI & VIDEO
Input video signal connector	Mini D-Sub 15-Pin, DVI 24-Pin
Input frequency	Horizontal: 31.5–80 kHz Vertical: 60–75 Hz
Power supply	Type: External brick, 100–240 VAC, 50–60 Hz Monitor input voltage: 12 VDC
Temperature	Operating: 0°C to 40°C Storage: -20°C to 60°C
Humidity	Operating: 20%–80% Storage: 10%–90% noncondensing
Weight (approx.)	Actual: 4 kg Shipping: 22 kg Shipping box dimensions: 570(L) X 420(W) X 415(H)
Touch interface	Option
Mounting options	Option



8

7

6

5

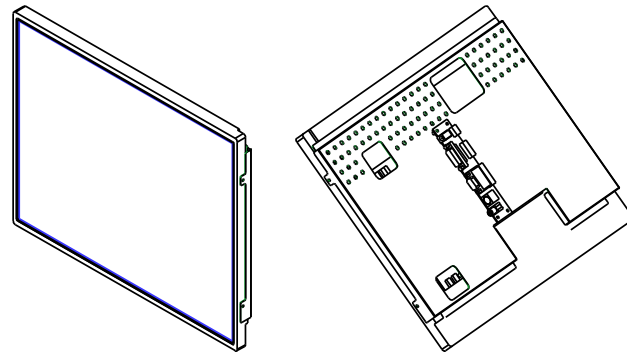
4

3

DWG NO GEIA190AU-L05

1

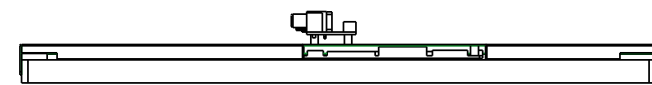
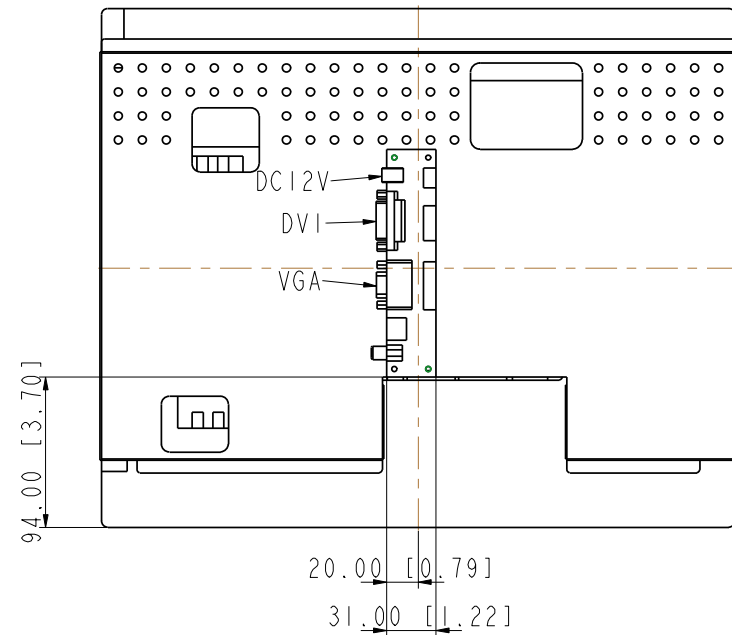
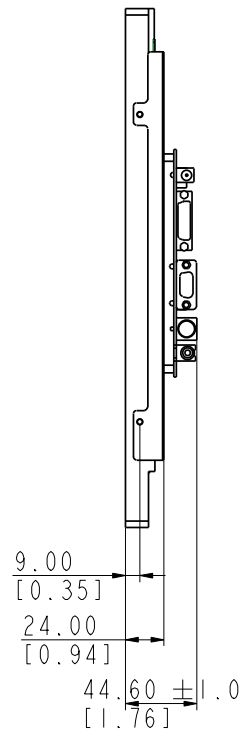
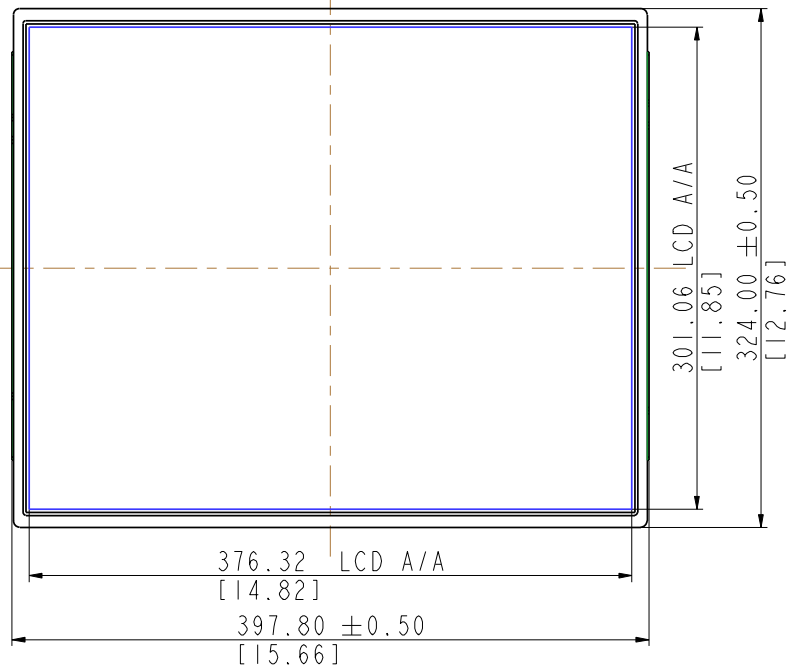
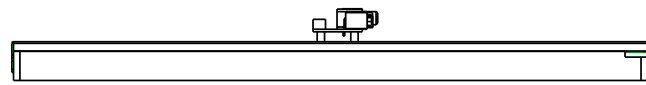
REVISIONS				
REV	ECO	DESCRIPTION	BY/DATE	CHECKED/DATE
EA		INITIAL RELEASE	C. SUNGIN 24 OCT 06	
		PENDING ECO NO. AVPWS.SPM		



SCALE 1/4

NOTES:

1. IDENTIFY WITH PARENT PART NUMBER, LATEST REVISION LETTER, VENDOR LOGO WITH 4-DIGIT DATE CODE (MMYY) .12 [3.0] TO .19 [4.8] HIGH IN AREA SHOWN. MARKING SHALL BE LEGIBLE AFTER SPECIFIED FINISH.
2. THIS DRAWING MAY BE USED FOR MULTIPLE ASSEMBLIES. FOR REFERENCE DOCUMENTATION, SEE PARENT BILL OF MATERIAL.
3. ASSEMBLY MUST BE PACKAGED TO ENSURE NO BREAKAGE OR SURFACE IMPERFECTIONS OCCUR DURING SHIPPING.
4. INDICATED ITEMS NOT SHOWN.



QUANTITY PER ASSEMBLY	ITEM	PART NO	DESCRIPTION	SHT
PARTS LIST				
<small>ALL DESIGN, OPERATIVE AND PROCESS DATA PERTAINING TO THE ARTICLE SHOWN ON THIS SHEET IS THE PROPERTY OF ESTECOM.</small>			ESTECOM	
<small>UNLESS OTHERWISE SPECIFIED</small>			TITILE	
<small>UNLESS OTHERWISE SPECIFIED</small>			19" INTELLIGENT PANEL	
<small>UNLESS OTHERWISE SPECIFIED</small>			DWG. SIZE	
<small>UNLESS OTHERWISE SPECIFIED</small>			D	
<small>UNLESS OTHERWISE SPECIFIED</small>			DWG. NO.	
<small>UNLESS OTHERWISE SPECIFIED</small>			GEIA190AU-L05	
<small>UNLESS OTHERWISE SPECIFIED</small>			REV	
<small>UNLESS OTHERWISE SPECIFIED</small>			EA	
<small>UNLESS OTHERWISE SPECIFIED</small>			DATE	
<small>UNLESS OTHERWISE SPECIFIED</small>			24 OCT 06	
<small>UNLESS OTHERWISE SPECIFIED</small>			SCALE	
<small>UNLESS OTHERWISE SPECIFIED</small>			1/2 & NOTED	
<small>UNLESS OTHERWISE SPECIFIED</small>			SHT	
<small>UNLESS OTHERWISE SPECIFIED</small>			1 OF	