

FP1124-3 HT Pressure Transducer



- Easy installation
- Built-in amplifier
- With bleeder screw
- Rugged construction
- High temperature

DESCRIPTION

The FP1124-3 HT Series of pressure transducers is designed specifically to measure pressure on the brake circuit, including ABS brake systems.

With its rugged design and excellent thermal characteristics, the FP1124-3 is built to withstand high temperatures to fit most brake test applications. Additional IP67 protection and a bleeder screw ensure ease of use and long life even under severe environmental conditions. The sensor can be powered by a car battery and delivers direct high-level 0.5 to 5.5 Vdc output signal.

Measurement Specialties, Inc. have many years of experience as a designer and manufacturer of sensing solutions to the automotive industry and can supply standard or custom sensors for specific uses and testing environments.

Consult Measurement Specialties, Inc. Engineering Department for a custom solution to your application.

FEATURES

- Heavy duty design
- Stainless steel
- Protection IP 67

APPLICATIONS

- On-board equipment
- Endurance test benches
- Breaking system laboratory research

STANDARD RANGES

Range in bar	30	100	200	350
--------------	----	-----	-----	-----

FP1124-3 HT Pressure Transducer

PERFORMANCE SPECIFICATIONS

All values are typical at temperature 20±1° C

Parameters	
Operating Temperature Range (OTR)	-20 to 130° C [-4 to 266° F]
Compensated Temperature Range (CTR)	-20 to 120° C [-4 to 248° F]
Zero Shift in CTR	<2% / 50° C [100° F]
Sensitivity Shift in CTR	<2% / 50° C [100° F]
Range (F.S.)	30, 100, 200 and 350 bar
Over-Range	
Without Damage	1.5 x F.S.
Without Destruction	3 x F.S.
Accuracy	
Combined Non-Linearity & Hysteresis	≤±0.3% F.S.

Electrical Characteristics

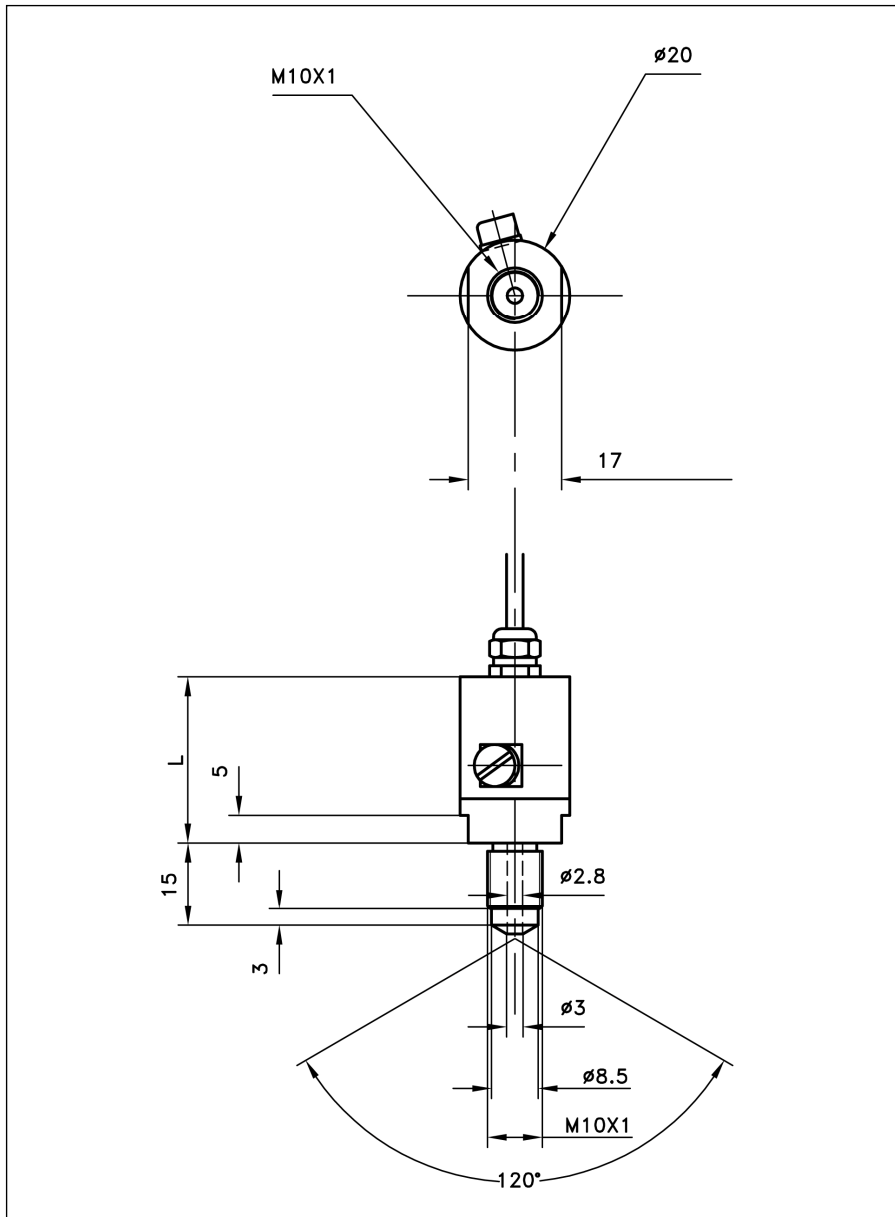
Model	FP1124-3 HT
Supply Voltage	10 – 36Vdc
F.S. Output 10 bar model	5V ±5% F.S.
Zero Offset	0.5V ±5% F.S.
Input Impedance/Consumption	<50mA
Output Impedance	<10Ω
Insulation under 50Vdc	≥100 MΩ

Notes

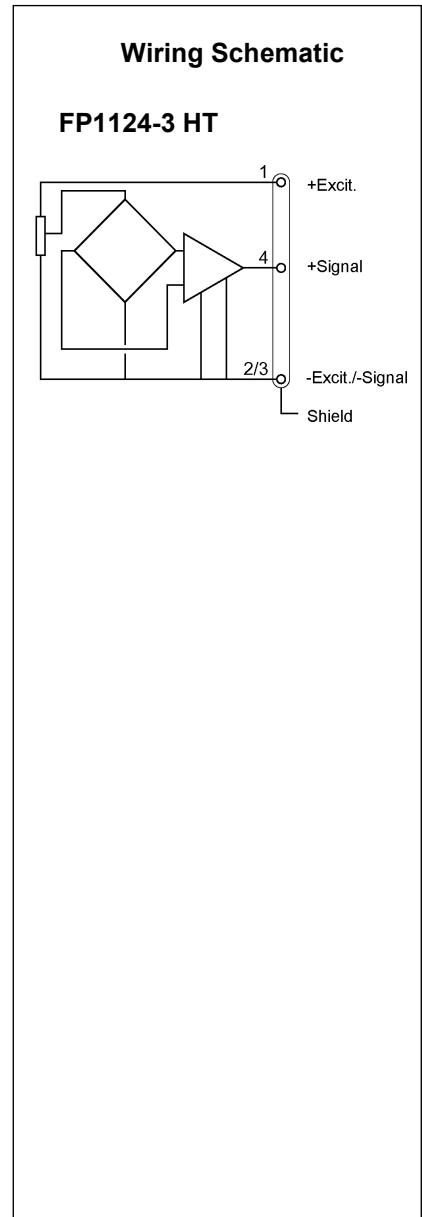
1. Electrical Termination: 2m Shielded Cable
2. Material: Stainless steel
3. Protection Index: IP67

FP1124-3 HT Pressure Transducer

DIMENSIONS & WIRING SCHEMATIC (IN METRIC AND IMPERIAL)

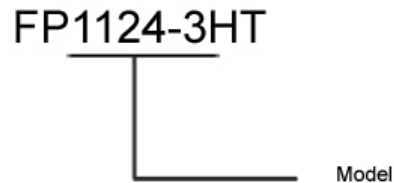


Dimensions in mm



FP1124-3 HT Pressure Transducer

ORDERING INFO



NORTH AMERICA

Measurement Specialties, Inc.
Vibration Design Center
32 Journey - Suite 150
Aliso Viejo, CA 92656
United States USA
Tel: 1-949-716-0877
Fax: 1-949-916-5677
t&m@meas-spec.com

EUROPE

Measurement Specialties
(Europe), Ltd.
26 Rue des Dames
78340 Les Clayes-Sous-Bois,
France
Tel: +33 (0) 130 79 33 00
Fax: +33 (0) 134 81 03 59
cs.lcsb@meas-spec.com

ASIA

Measurement Specialties
(China), Ltd.
No. 26 Langshan Road
Shenzhen High-Tech Park (North)
Nanshan District, Shenzhen
518057
China
Tel: +86 755 3330 5088
Fax: +86 755 3330 5099
pfg.cs.asia@meas-spec.com

The information in this sheet has been carefully reviewed and is believed to be accurate; however, no responsibility is assumed for inaccuracies. Furthermore, this information does not convey to the purchaser of such devices any license under the patent rights to the manufacturer. Measurement Specialties, Inc. reserves the right to make changes without further notice to any product herein. Measurement Specialties, Inc. makes no warranty, representation or guarantee regarding the suitability of its product for any particular purpose, nor does Measurement Specialties, Inc. assume any liability arising out of the application or use of any product or circuit and specifically disclaims any and all liability, including without limitation consequential or incidental damages. Typical parameters can and do vary in different applications. All operating parameters must be validated for each customer application by customer's technical experts. Measurement Specialties, Inc. does not convey any license under its patent rights nor the rights of others.