

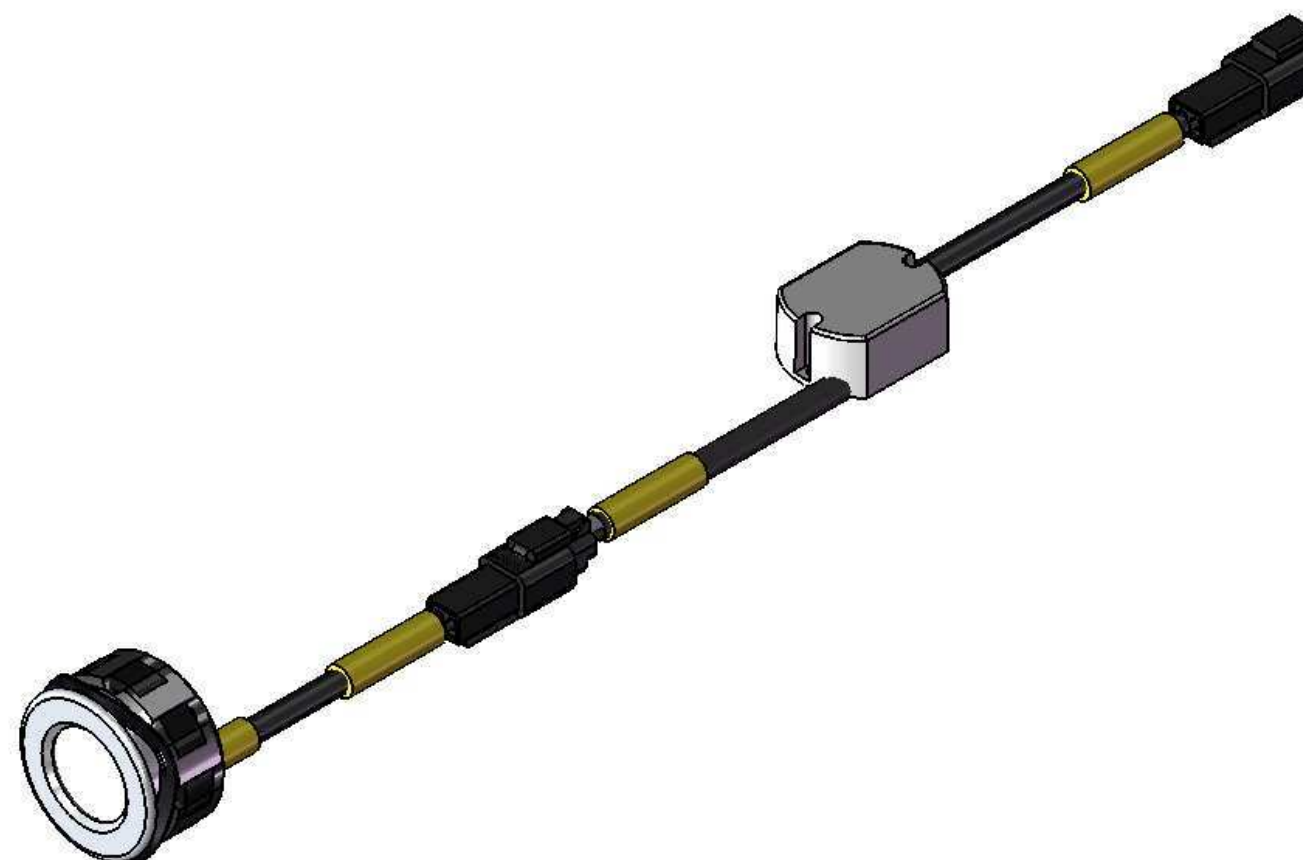
DRAWING NO	SHEET	MODEL NAME	ISSUE
SPL8356	1 OF 2	SPL8356	4
ISSUE	MODIFICATION	DRN	DATE
1	ORIGINAL ISSUE	NJK	04.02.08
2	58/08	NJK	10.05.08
3	016/11	RE	02.03.11
4	025/11	RE	31.03.11



Marl International Limited
 Marl Business Park,
 Ulverston, Cumbria,
 LA12 9BN, England.

tel: +44 (0)1229 582430
 fax: +44 (0)1229 585155
 e-mail: sales@marl.co.uk
 website: www.marl.co.uk

STEP LIGHT: 743-615-00-50



SPECIFICATIONS

Overview

The 743-615-00-50 is a high intensity Step Light designed for the rail industry. Due to the reduced power consumption and long operating life (60,000 hours), the Step Light is ideal as a fit and forget, maintenance-free replacement for halogen type fittings. The Step Light is fitted with a two way receptacle which mates with the two pin plug of the constant current driver (supplied). Extension cables to increase distance between Step Light and driver are available on request. The step light is mounted from the front of the panel. Please contact Marl Sales Department for more information.

Mechanical

Dimensions: See page 2
 Housing: Black anodised aluminium
 Bezel: Decorative chrome plated aluminium
 Nut: Black anodised aluminium
 Lens: Toughened glass

Electrical

Input Voltage: 10-40Vdc
 Operating power: 4W
 Operating Current: 350mA
 Connectors: Deutsch DT series

Optical

Light engine: CITIZEN CL-251 6W Series
 Medium optic: 30°
 For additional information on the LED please contact Marl Sales Department and request LED data sheet for CL-251-C6N1-C 5000K
 Light Output: 230Lm

Thermal

Maximum ambient temperature: 45°C

Additional Information

The Step Light is supplied with a constant current driver which requires a 10-40Vdc input.

RIA12 or EN50155 rail specification, low voltage converter to be purchased separately. Recommended converter: 25W Powertron MBRH Series 110VDC input
 One 25W MBRH converter will power up to 4 step lights.
 Marl Part No: 726-000-25-50

Please contact Marl Sales Department for more information.

The Step Light meets RVAR Guidelines 1998: 6(1)(d)

Benefits

- Industry leading efficacy from light engine.
- Low power consumption
- Low maintenance
- UK manufacturing to ISO 9001:2001

Applications

- Rail
- Architectural
- Residential
- Commercial
- Retail



12/05/11
**NON-MAINTAINED
 COPY**

TOLERANCE/ SCALE UOS		DRN: NJK
LINEAR ± NA		DATE: 04.02.08
ANGULAR ± NA	ALL DIMENSIONS IN MM	CHK1: NJO
ORIGINAL SCALE 1:2	FORMAT - A3	CHK2: RW

DRAWING NO SHEET MODEL NAME ISSUE
SPL8356 2 OF 2 SPL8356 4

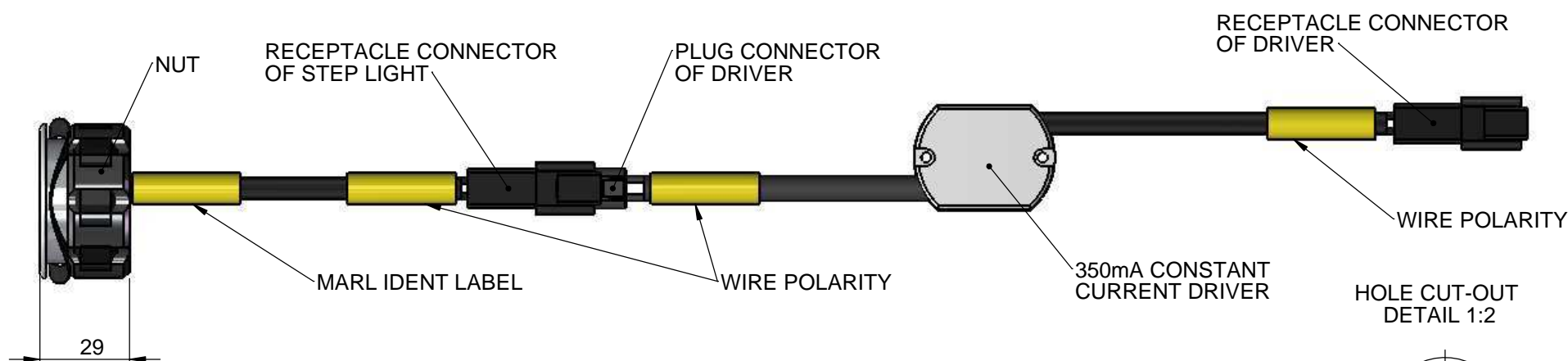
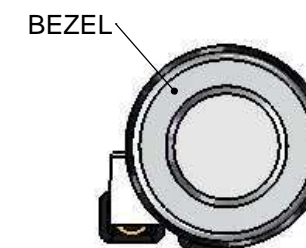
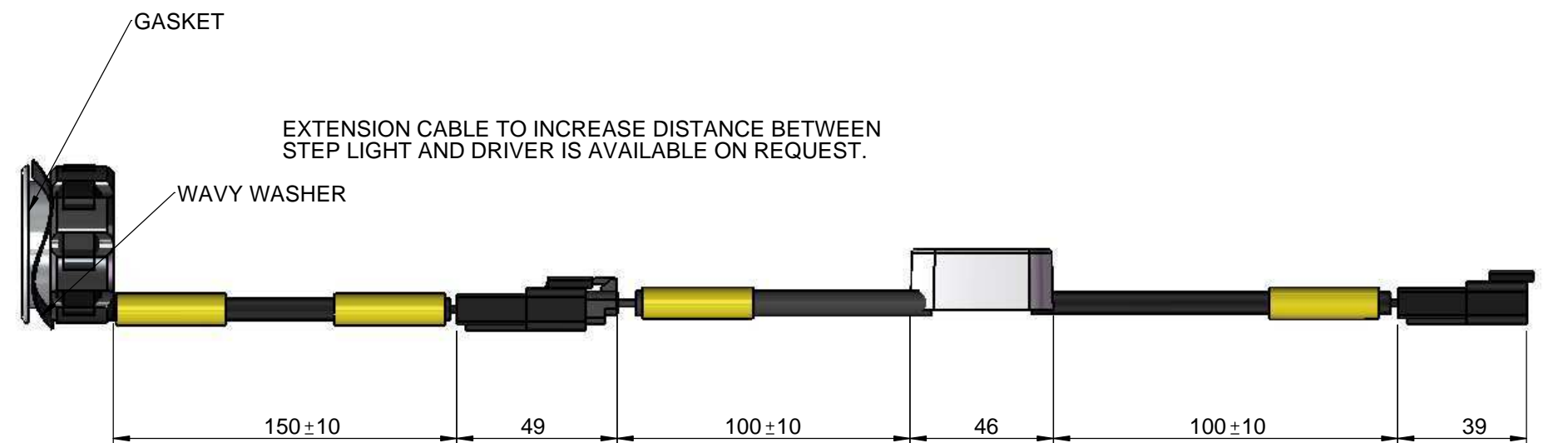
ISSUE	MODIFICATION	DRN	DATE
1	ORIGINAL ISSUE	NJK	04.02.08
2	58/08	NJK	10.05.08
3	016/11	RE	02.03.11
4	025/11	RE	31.03.11



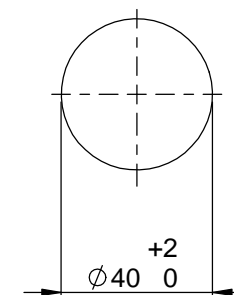
Marl International Limited
 Marl Business Park,
 Ulverston, Cumbria,
 LA12 9BN, England.

tel: +44 (0)1229 582430
 fax: +44 (0)1229 585155
 e-mail: sales@marl.co.uk
 website: www.marl.co.uk

STEP LIGHT: 743-615-00-50



Part Number	Optic	LED Colour	LED reference number
743-615-00-50	Medium	Daylight White	CL-251-C6N1-C



Benefits

- Industry leading efficacy from light engine.
- Low power consumption
- Low maintenance
- UK manufacturing to ISO 9001:2001

Applications

- Rail
- Architectural
- Residential
- Commercial
- Retail



12/05/11
NON-MAINTAINED COPY

TOLERANCE/ SCALE UOS		DRN: NJK
LINEAR ± NA	<p>ALL DIMENSIONS IN MM FORMAT - A3</p>	DATE: 04.02.08
ANGULAR ± NA		CHK1: NJO
ORIGINAL SCALE 1:2		CHK2: RW