

## L05150 LEDlight 1-5.5 Watt 350mA

### Features

The L05150 LEDlight is a 1 – 5.5 Watt LED driver with 350mA current setting.

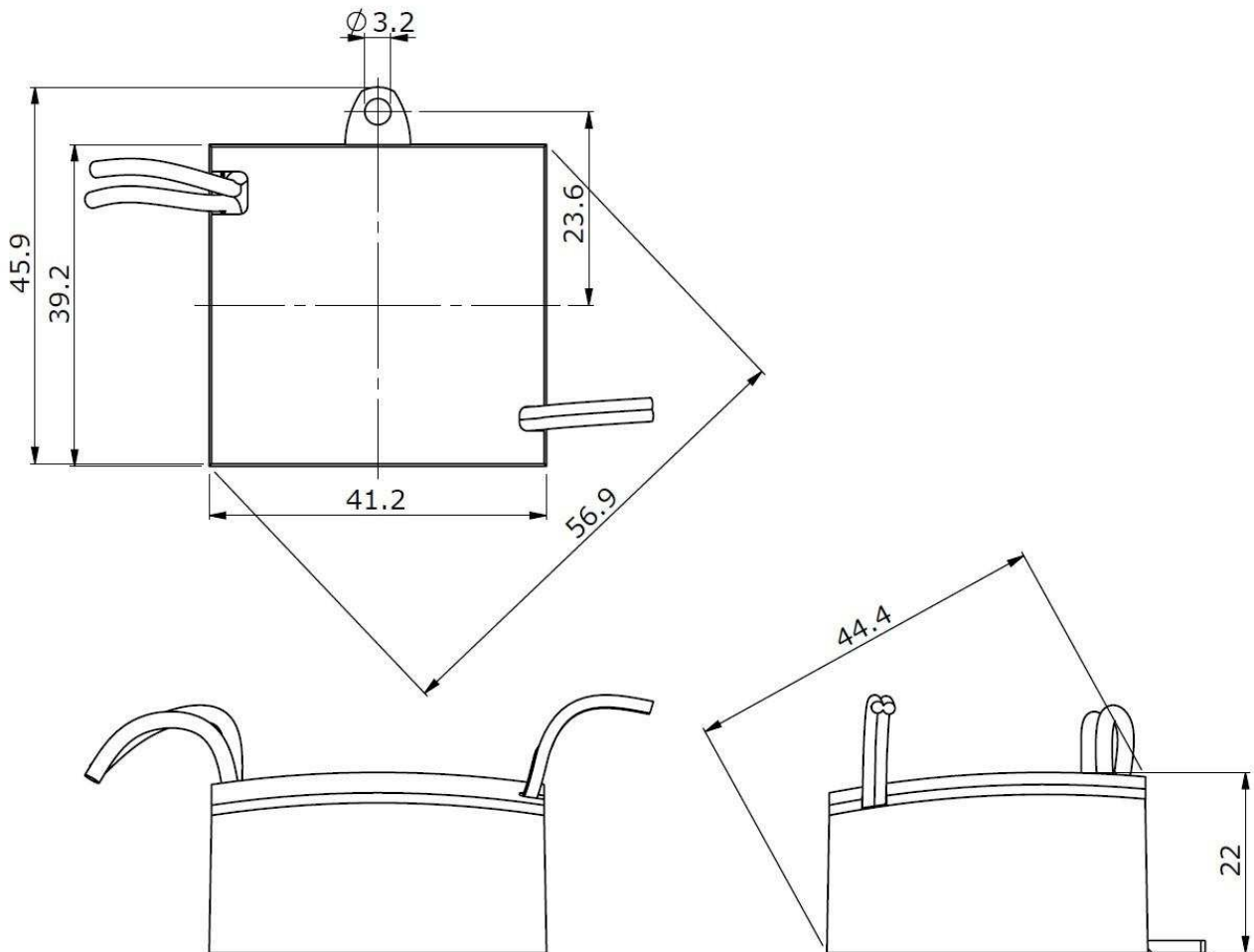
### Specifications

|                                      |  |  |
|--------------------------------------|--|--|
| <b>System input voltage nominal</b>  | 115-240Vac   |  |
| <b>System input voltage range</b>    | 115-240Vac   |  |
| <b>System input frequency</b>        | 50/60 Hz   |  |
| <b>System input power</b>            | 7.3 VA Max.  |  |
| <b>Output current</b>                | 350 mA   |  |
| <b>Operating voltage output</b>      | 17Vdc Max.   |  |
| <b>Driver efficiency</b>             | 77%  |  |
| <b>Power factor</b>                  | 0.9C   |  |
| <b>Nominal line current</b>          | 115V: 66mA<br>240V: 30mA   |  |
| <b>Output power</b>                  | 115V: 5.5 Watt<br>240V: 5.5 Watt                                   |  |
| <b>Maximum number of LEDs</b>        | Input Voltage<br>230V  | Input Voltage<br>115V  |
|                                      | 1-5 LEDs @ 3.2V FV<br>1-4 LEDs @ 3.5V FV<br>1-4 LEDs @ 4.0V FV     | 1-5 LEDs @ 3.2V FV<br>1-4 LEDs @ 3.5V FV<br>1-4 LEDs @ 4.0V FV |
| <b>LED type</b>                      | Current (U <sub>nom</sub> 230-240Vac)                              |  |
| <b>Dimmer type</b>                   | Not dimmable   |  |
| <b>Open circuit voltage</b>          | 17Vdc  |  |
| <b>Short circuit protection</b>      | Yes  |  |
| <b>Open circuit protection</b>       | Yes  |  |
| <b>Overvoltage protection</b>        | Yes  |  |
| <b>Load voltage setting time</b>     | 1 second   |  |
| <b>Thermal protection</b>            | Yes, against overheating   |  |
| <b>Output current overshoot</b>      | No   |  |
| <b>Output isolation</b>              | Yes, SELV EQ   |  |
| <b>Ambient temperature range</b>     | 0 +45°C  |  |
| <b>Leads primary</b>                 | 0.5 mm <sup>2</sup> Length: 100mm                                  |  |
| <b>Leads secondary</b>               | 0.22 mm <sup>2</sup> Length: 100mm                                 |  |
| <b>Lead connection method</b>        | Lumoluce connector   |  |
| <b>Mounting method</b>               | Screw  |  |
| <b>Weight</b>                        | 39 gram  |  |
| <b>Case colour</b>                   | Grey   |  |
| <b>Maximum case temperature (Tc)</b> | < 85° C  |  |
| <b>Storage temperature range</b>     | -20 +50° C   |  |
| <b>Case dimensions</b>               | 45,9 x 41,2 x 22 mm  |  |
| <b>Approvals</b>                     | CE   |  |
| <b>Complies with standards</b>       | EN61547, EN55015, EN61000-3-2, EN62384,<br>EN61347-2-13, EN61347-1 |  |



L05150 LEDlight 1-5.5 Watt 350mA

Technical drawings



**Order**

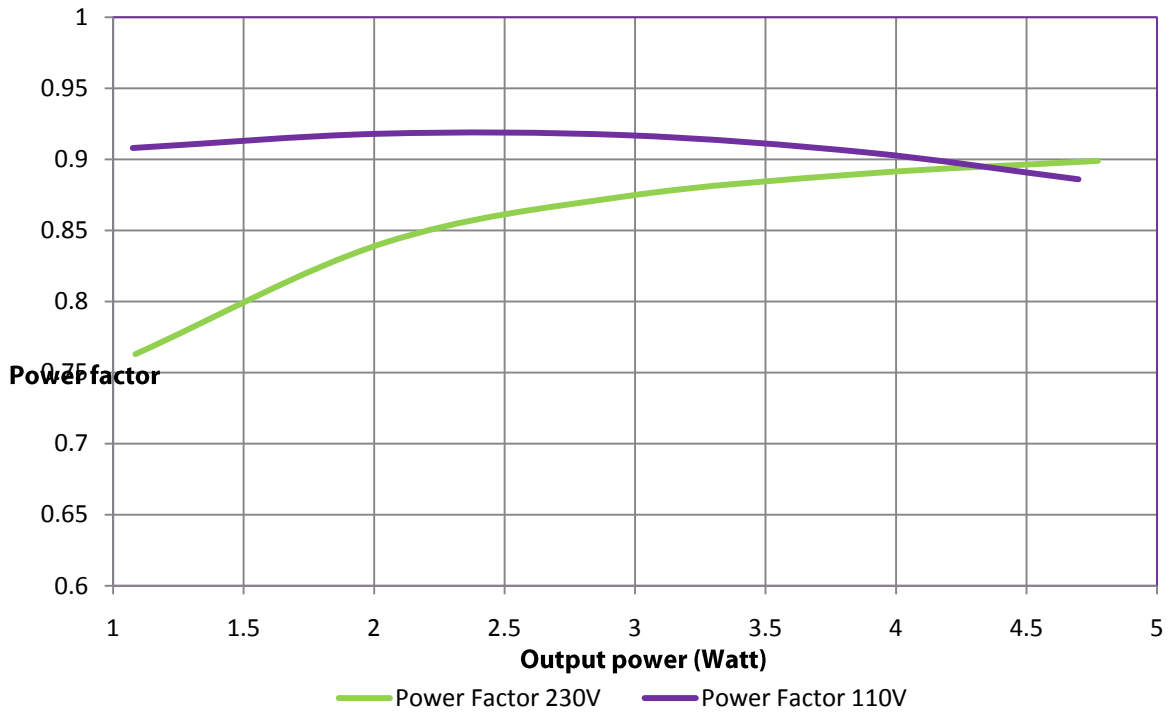
L05051 LEDlight 1-5.5 Watt 700mA      L05051

**Disclaimer**

©2011, Lumotech Holland B.V. All rights reserved. Designs and specifications may change without prior notice.

Technical specifications

Powerfactor @ 350mA



Efficiency @ 350mA

