

L05050 LEDlight 1- 6.5 Watt 700mA

Features

The L05050 LEDlight is a 1 – 6.5 Watt LED driver with a 700mA current setting.

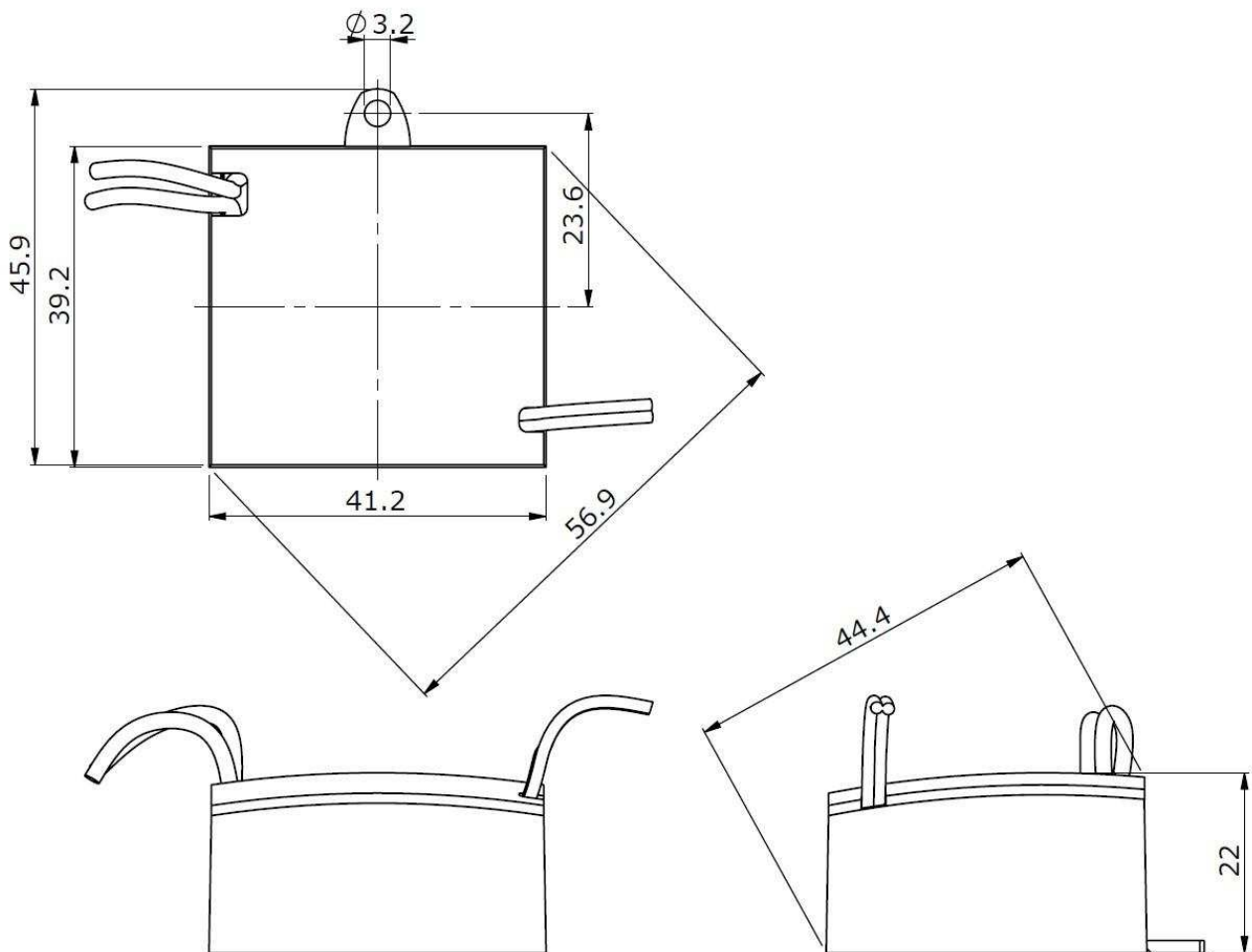
Specifications

System input voltage nominal	115-240Vac	
System input voltage range	115-240Vac	
System input frequency	50/60 Hz	
System input power	10VA max.	
Output current	700mA	
Operating voltage output	12Vdc Max	
Driver efficiency	76%	
Power factor	0.91C	
Nominal line current	115V: 850mA 240V: 430mA	
Output power	115V: 6 Watt 240V: 7 Watt	
Number of led's	Input Voltage 230V	Input Voltage 115V
	1-3 LEDs @ 3.2V FV	1-3 LEDs @ 3.2V FV
	1-3 LEDs @ 3.5V FV	1-3 LEDs @ 3.5V FV
	1-2 LEDs @ 4.0V FV	1-2 LEDs @ 4.0V FV
LED type	Current (U_{nom} 230-240Vac)	
Dimmer type	Not dimmable	
Open circuit voltage	13Vdc	
Short circuit protection	Yes	
Open circuit protection	Yes	
Overvoltage protection	Yes	
Load voltage setting time	1 second	
Thermal protection	Yes, against overheating	
Output current overshoot	No	
Output isolation	Yes, SELV EQ	
Ambient temperature range	0 + 45°C	
Leads primary	0.5 mm ² Length: 100mm	
Leads secondary	0.22 mm ² Length: 100mm	
Lead connection method	Lumoluce connector	
Mounting method	Screw	
Weight	39 gram	
Case colour	Grey	
Maximum case temperature (Tc)	< 80° C	
Storage temperature range	-20 +50° C	
Case dimensions	45.9 x 41.2 x 22 mm	
Approvals	CE	
Complies with standards	EN61547, EN55015, EN61000-3-2, EN62384, EN61347-2-13, EN61347-1	



L05050 LEDlight 1- 6.5 Watt 700mA

Technical drawings



Order

L05050 LEDlight 1-6.5 Watt 700mA L05050

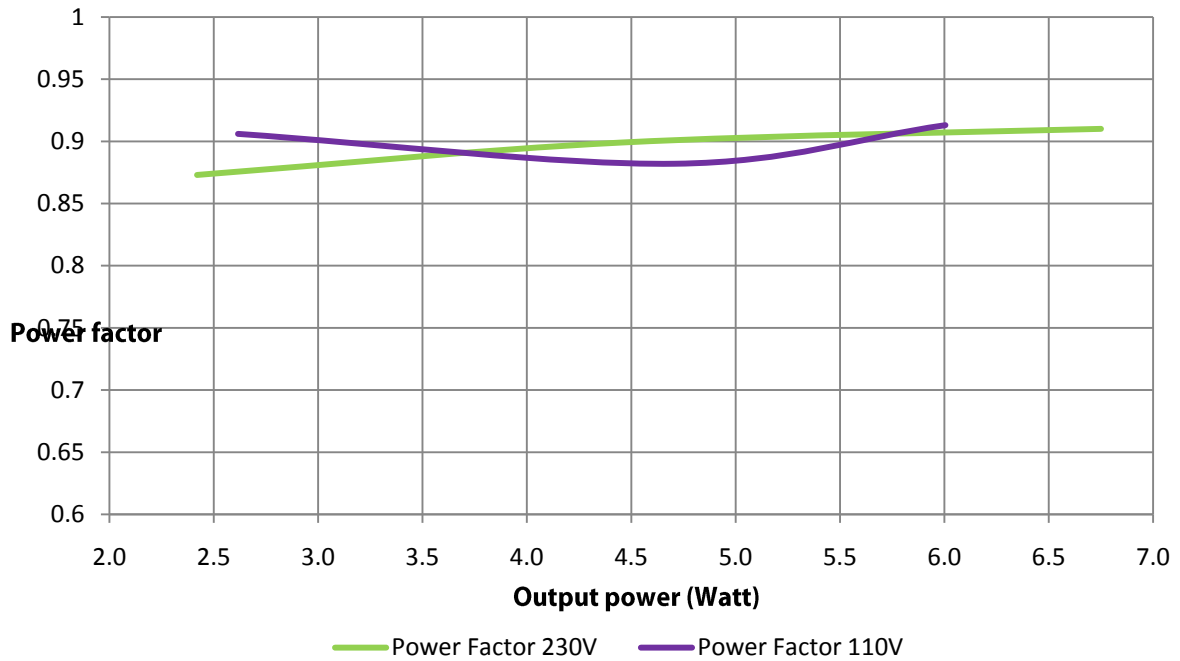
Disclaimer

©2011, Lumotech Holland B.V. All rights reserved. Designs and specifications may change without prior notice.

L05050 LEDlight 1- 6.5 Watt 700mA

Technical specifications

Power factor @ 700mA



Efficiency @ 700mA

