

L05049 ECOLine 1-10V dimmable LED Driver 40W / 60V

Features

The L05049 ECOLine LED Driver is a 40Watt LED driver with adjustable current setting from 245mA to 1A. It features a 1-10V dim input.

Specifications

System input voltage nominal	115-240Vac	
System input voltage range	115-240Vac	
System input frequency	50/60 Hz	
System input power	230Vac: 45VA	115Vac: 31VA @ 1A 115Vac: 37VA @ 700mA
Output current	245-1050 mA stabilized adjustable current source.	
Operating voltage output	60Vdc max, 22Vdc min.	
Driver efficiency	90%	
Power factor	0.98 @ 230Vac	0.99 @ 115Vac
Nominal line current	115V: 265mA 240V: 195mA	
Output power	240V: 40 Watt	115V: 26 Watt @ 1000mA 115V: 32 Watt @ 700mA
Maximum number of LEDs	Input Voltage 230V 18 LEDs @ 350mA U _f 3.2V Max. 18 LEDs @ 700mA U _f 3.2V Max. 12 LEDs @ 1000mA U _f 3.2V Max.	Input Voltage 115V 18 LEDs @ 350mA U _f 3.2V Max. 14 LEDs @ 700mA U _f 3.2V Max. 8 LEDs @ 1000mA U _f 3.2V Max.
LED type	Current (U _{nom} 230-240Vac)	
Minimum number of LEDs	8	
Dimmer type	1-10V or potentiometer (100K log)	
Open circuit voltage	71Vdc	
Short circuit protection	Yes	
Open circuit protection	Yes	
Overvoltage protection	Yes	
Load voltage setting time	1 second	
Thermal protection	Yes, against overheating	
Output current overshoot	No	
Output isolation	Yes, SELV EQ	
Ambient temperature range	-25 + 60°C	
Leads primary	0.5mm ² – 1.5 mm ²	
Leads secondary	0.2 mm ² – 1.5 mm ²	
Lead connection method pri.	Clamp or Lumoluca connector	
Mounting method	Screw	
Weight	165 gram	
Case colour	Grey	
Maximum case temperature (Tc)	< 80° C	
Storage temperature range	-20 +50° C	
Case dimensions	157 x 42 x 32 mm (L x W x H)	
Complies with standards	EN61547, EN55015, EN61000-3-2, EN62384, EN61347-2-13, EN61347-1	



L05049 ECOLine 1-10V dimmable LED Driver 40W / 60V

Current programming:	R(Ω)	I out (mA)
	∞	1050 -5% +2%
	18K	700 -5% +2%
	5K6	500 -5% +2%
	1K8	350 -5% +2%
	0E	245 -5% +2%

Minimum current at minimum

Dim level when using the

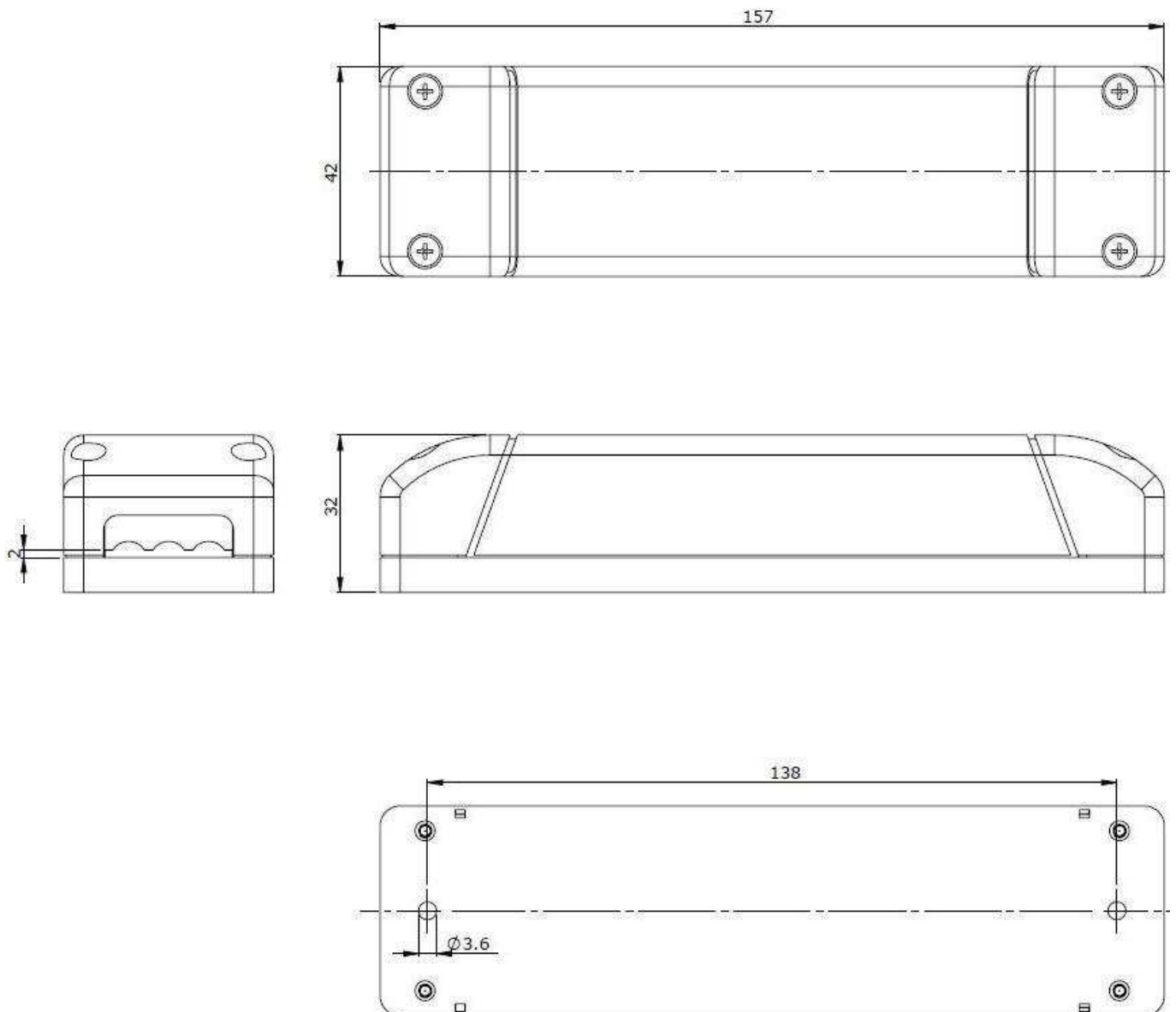
Potentiometer: 125mA

Approvals:



L05049 ECOLine 1-10V dimmable LED Driver 40W / 60V

Technical drawings



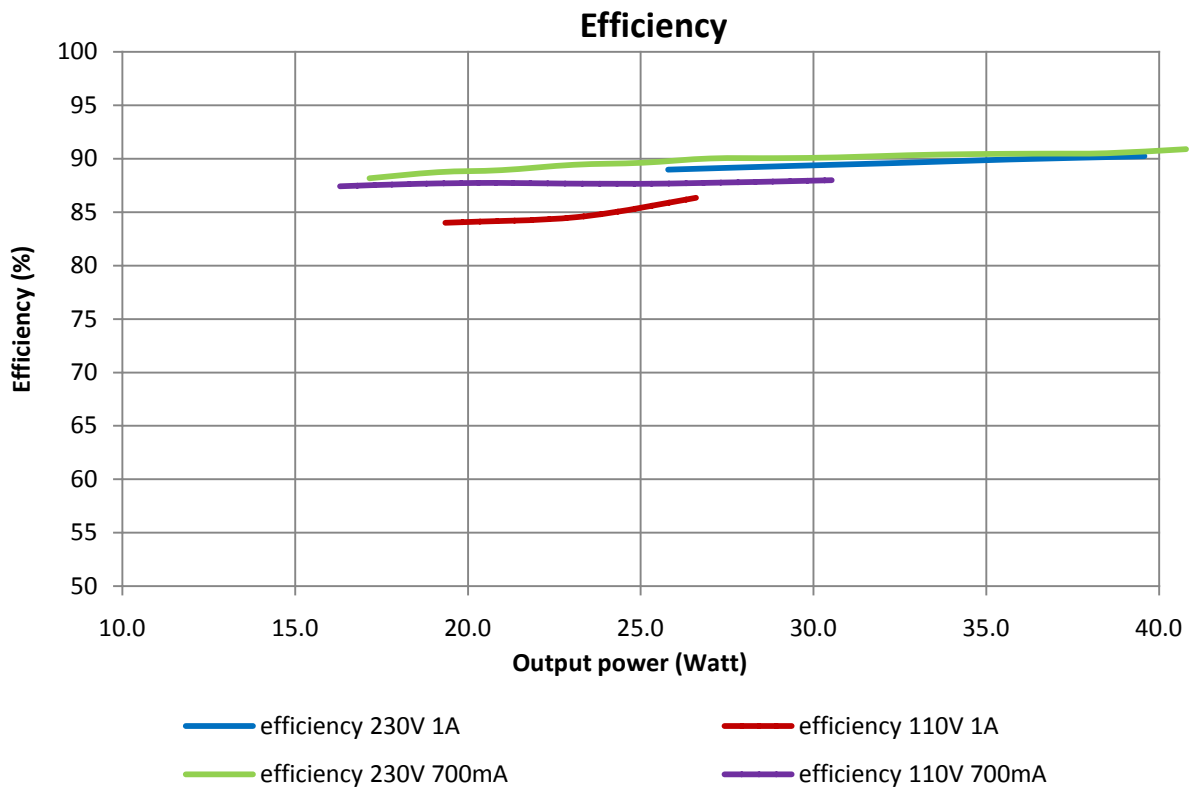
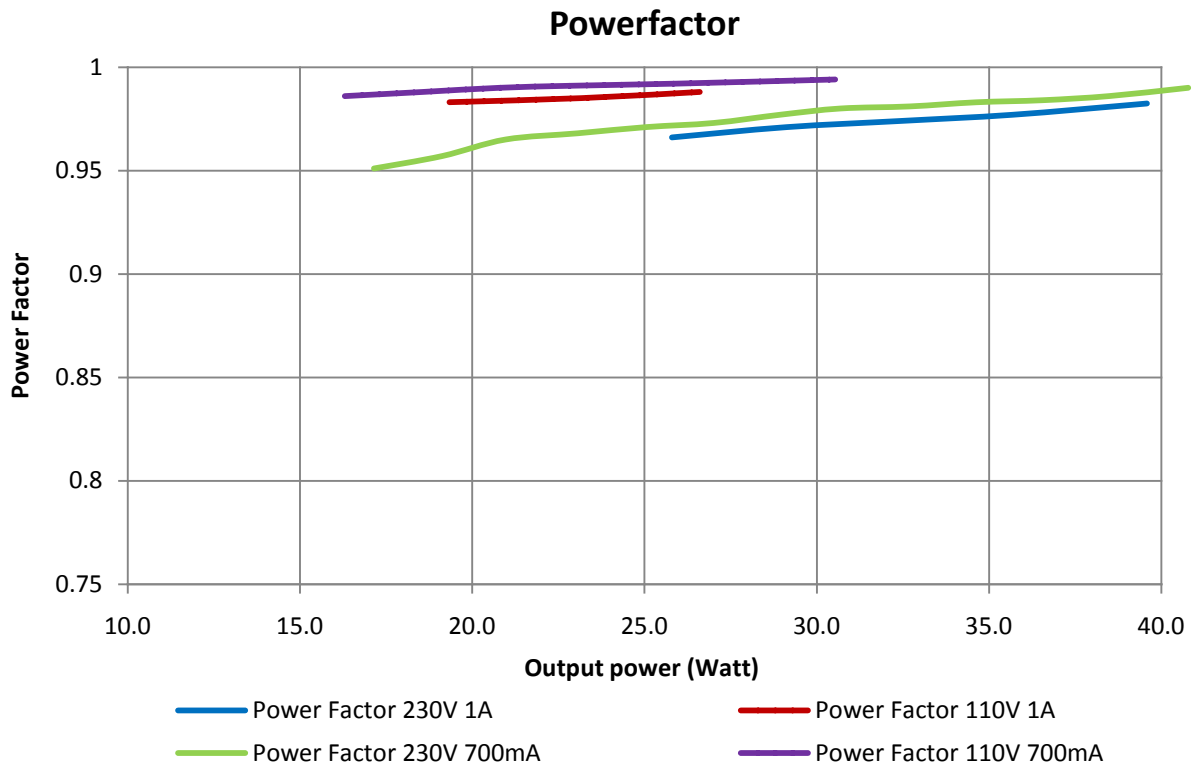
Order

L05049 ECOLine 1-10V dimmable LED Driver 40W / 60V L05049

Disclaimer

©2011, Lumotech Holland B.V. All rights reserved. Designs and specifications may change without prior notice.

L05049 ECOLine 1-10V dimmable LED Driver 40W / 60V



Harmonics (limit according to IEC 61000-3-2 table 2)

