



## Moon linear (MLL-18)



### Specification

#### Electrical:

power Consumption: 21W max at full intensity  
compatible driver: Coloray drive 25/50/100/200

#### Source & optics:

LEDs: (RGB) 6 x 1W Red/ 6 x 1W Green/ 6 x 1W Blue  
(Single color) Red/Green/Blue/White/Warm white/Amber  
Beam angle: 15, 25 and 25x50 degree available  
Life time: estimated 25,000 at full power  
Total Lux(1M): R70 G 80 B32 W182

#### Communication:

DMX 512(1990): RGB 3 channels

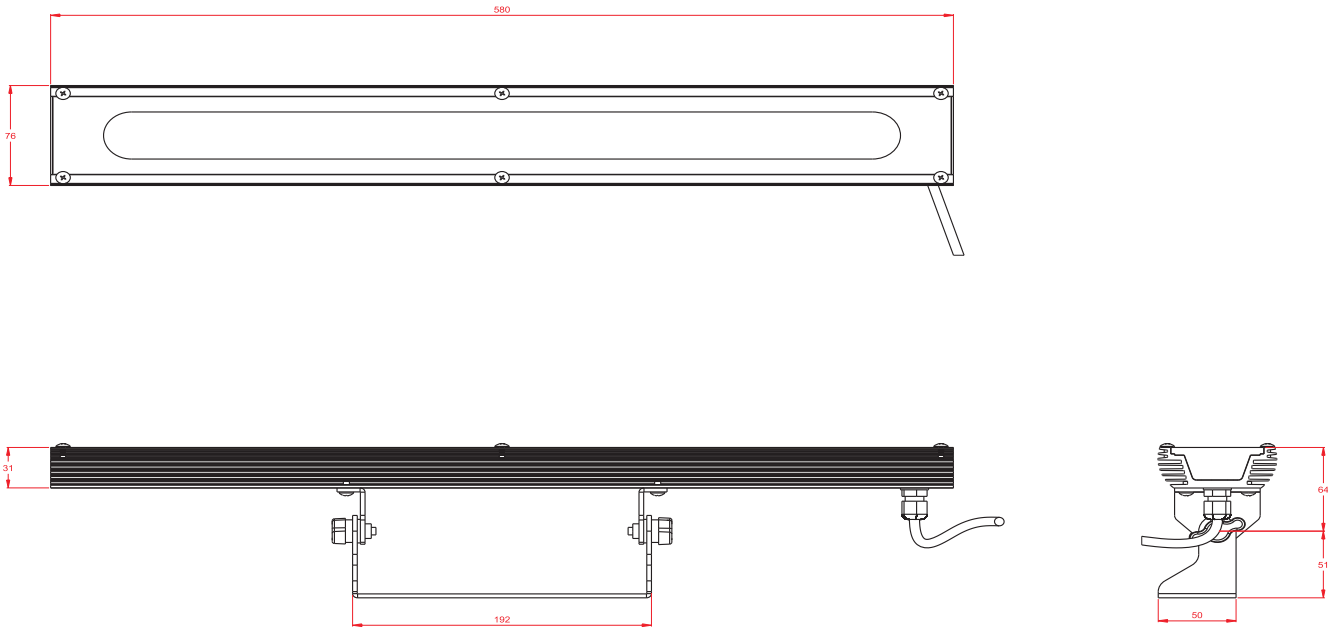
#### Environment:

Operating temperature: -10~40 degree

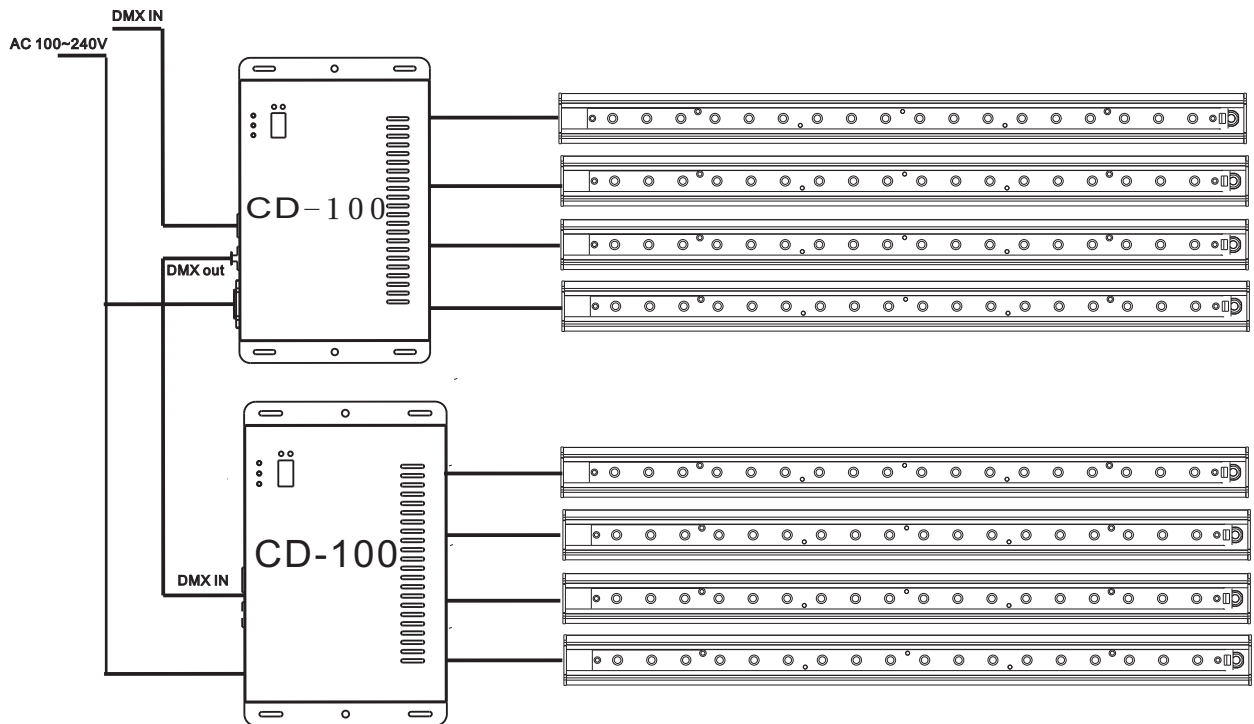
#### Housing:

Finish: First grade aluminum housing in black color  
Exit cable: 2M with Rj45 connector  
Dimensions(mm): L580xW75xH30  
Weight: 2.1Kg  
Protection: IP65

## Dimension (mm)

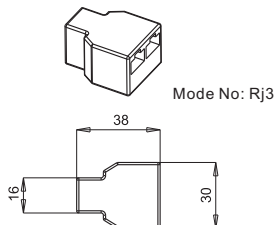


## Wiring Diagram



## Accessory

### Splitter



### Extension connector

