

## MLRF18M



Wirewound, Molded, MIL-PRF-I5305

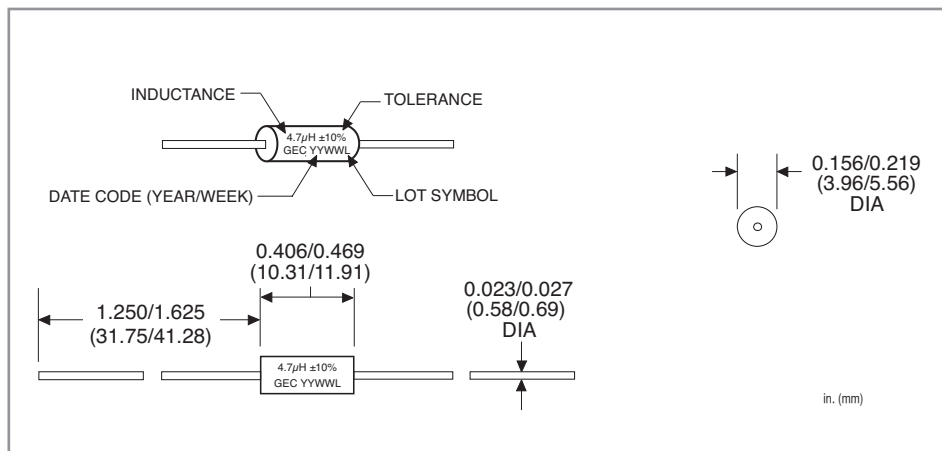
MS75008 Phenolic Core, MS75101 Powdered Iron Core



PART NUMBER	MIL PART NUMBER	L $\mu$ H	Q MIN	TEST FREQ MHz	SRF MHz MIN	DCR OHMS MAX	CURRENT RATING mA DC
MS75008 PHENOLIC CORE							
MLRF18M150M	MS75008-21	0.15	55	25	510	0.030	3000
MLRF18M220M	MS75008-22	0.22	50	25	415	0.035	2800
MLRF18M330M	MS75008-23	0.33	50	25	350	0.065	2000
MLRF18M470M	MS75008-24	0.47	50	25	300	0.085	1700
MLRF18M560K	MS75008-25	0.56	50	25	270	0.125	1450
MLRF18M680K	MS75008-26	0.68	45	25	250	0.150	1300
MLRF18M820K	MS75008-27	0.82	40	25	210	0.205	1100
MLRF18M101K	MS75008-28	1.00	40	25	200	0.290	930
MLRF18M121K	MS75008-29	1.20	30	7.9	180	0.400	785
MLRF18M151K	MS75008-30	1.50	30	7.9	170	0.485	700
MLRF18M181K	MS75008-31	1.80	30	7.9	150	0.740	580
MLRF18M221K	MS75008-32	2.20	30	7.9	140	0.970	505
MLRF18M271K	MS75008-33	2.70	30	7.9	120	1.200	460

Suffix "M" for 20% tolerance or Suffix "K" for 10% tolerance

continued next page



### NOTES:

- Operating Temperature Range:  
-55°C to +125°C for MS75008 (Phenolic)  
-55°C to +105°C for MS75101 (Powdered Iron)
- Temperature Class:  
Class B (125°C) for MS75008 (Phenolic)  
Class A (105°C) for MS75101 (Powdered Iron)
- Current Rating is @ a 90°C Ambient:  
35°C Rise for MS75008 (Phenolic)  
15°C Rise for MS75101 (Powdered Iron)
- Weight maximum:  
0.950 grams (0.03351 ounces)
- DWV 1000 Vrms @ Sea Level  
200 Vrms @ 70,000 Feet
- Body color is black

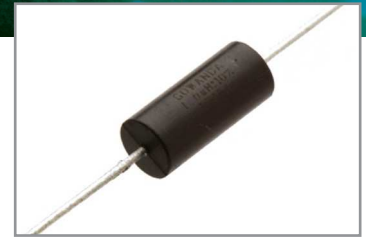
### TAPE AND REEL SPECS:

Pcs./Reel maximum:	2000
Pitch between parts:	0.200 in.
Tape width:	2.062 in.
Reel diameter:	12 in.

continued from previous page

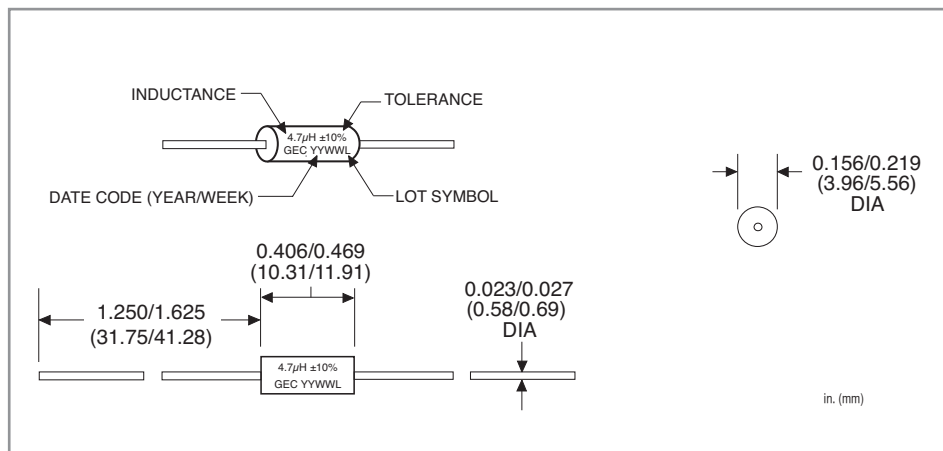
## MLRF18M Wirewound, Molded, MIL-PRF-15305

MS75008 Phenolic Core, MS75101 Powdered Iron Core



PART NUMBER	MIL PART NUMBER	L $\mu$ H	Q MIN	TEST FREQ MHz	SRF MHz MIN	DCR OHMS MAX	CURRENT RATING mA DC
MS75101 POWDERED IRON CORE							
MLRF18M331K	MS75101-1	3.3	30	7.9	70	0.140	990
MLRF18M391K	MS75101-2	3.9	30	7.9	65	0.155	870
MLRF18M471K	MS75101-3	4.7	30	7.9	60	0.210	745
MLRF18M561K	MS75101-4	5.6	30	7.9	50	0.280	645
MLRF18M681K	MS75101-5	6.8	30	7.9	50	0.375	560
MLRF18M821K	MS75101-6	8.2	30	7.9	48	0.440	540
MLRF18M102K	MS75101-7	10	30	7.9	42	0.605	440
MLRF18M122K	MS75101-8	12	50	2.5	36	1.050	370
MLRF18M152K	MS75101-9	15	55	2.5	30	1.200	310
MLRF18M182K	MS75101-10	18	60	2.5	30	1.950	255
MLRF18M222K	MS75101-11	22	60	2.5	24	2.200	240
MLRF18M272K	MS75101-12	27	65	2.5	22	2.750	205

Suffix "M" for 20% tolerance or Suffix "K" for 10% tolerance



### NOTES:

- Operating Temperature Range:  
-55°C to +125°C for MS75008 (Phenolic)  
-55°C to +105°C for MS75101 (Powdered Iron)
- Temperature Class:  
Class B (125°C) for MS75008 (Phenolic)  
Class A (105°C) for MS75101 (Powdered Iron)
- Current Rating is @ a 90°C Ambient:  
35°C Rise for MS75008 (Phenolic)  
15°C Rise for MS75101 (Powdered Iron)
- Weight maximum:  
0.950 grams (0.03351 ounces)
- DWV 1000 Vrms @ Sea Level  
200 Vrms @ 70,000 Feet
- Body color is black

### TAPE AND REEL SPECS:

Pcs./Reel maximum:	2000
Pitch between parts:	0.200 in.
Tape width:	2.062 in.
Reel diameter:	12 in.