

MLRF15M



Wirewound, Molded, MIL-PRF-15305

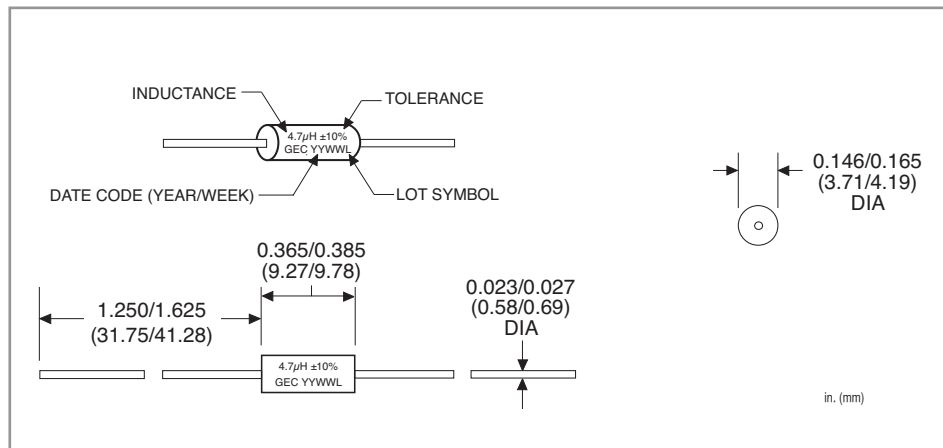
MS18130 Phenolic Core, MS14046 Powdered Iron Core, MS90538 Powdered Iron Core



PART NUMBER	MIL PART NUMBER	L μ H	Q MIN	TEST FREQ MHz	SRF MHz MIN	DCR OHMS MAX	CURRENT RATING mA DC
MS18130 PHENOLIC CORE							
MLRF15M150M	MS18130-1	0.15	50	25	525	0.030	2450
MLRF15M220M	MS18130-2	0.22	50	25	450	0.055	1810
MLRF15M330M	MS18130-3	0.33	45	25	360	0.090	1400
MLRF15M470M	MS18130-4	0.47	45	25	310	0.120	1225
MLRF15M560K	MS18130-5	0.56	50	25	280	0.135	1150
MLRF15M680K	MS18130-6	0.68	50	25	250	0.150	1100
MLRF15M820K	MS18130-7	0.82	50	25	220	0.220	900
MLRF15M101K	MS18130-8	1.00	50	25	200	0.290	785
MLRF15M121K	MS18130-9	1.20	33	7.9	180	0.420	650
MLRF15M151K	MS18130-10	1.50	33	7.9	160	0.500	600
MLRF15M181K	MS18130-11	1.80	33	7.9	150	0.650	525
MLRF15M221K	MS18130-12	2.20	33	7.9	135	0.950	435
MLRF15M271K	MS18130-13	2.70	33	7.9	120	1.2	385
MLRF15M331K	MS18130-14	3.30	33	7.9	110	2.0	300
MLRF15M391K	MS18130-15	3.90	33	7.9	100	2.3	280
MLRF15M471K	MS18130-16	4.70	33	7.9	90	2.6	260

Suffix "M" for 20% tolerance, Suffix "K" for 10% tolerance or Suffix "J" for 5% tolerance

continued next page



NOTES:

- Operating Temperature Range:
 - 55°C to +125°C for MS18130 (Phenolic)
 - 55°C to +105°C for MS14046 & MS90538 (Powdered Iron)
- Temperature Class:
 - Class B (125°C) for MS18130 (Phenolic)
 - Class A (105°C) for MS14046 & MS90538 (Powdered Iron)
- Current Rating is @ a 90°C Ambient:
 - 35°C Rise for MS18130 (Phenolic)
 - 15°C Rise for MS14046 & MS90538 (Powdered Iron)
- Weight maximum:
 - 0.700 grams (0.0247 ounces) for MS18130 (Phenolic)
 - 0.898 grams (0.0317 ounces) for MS14046 & MS90538 (Powdered Iron)
- DWV 1000 Vrms @ Sea Level
 - 200 Vrms @ 70,000 Feet for MS18130 & MS14046 (Phenolic & Powdered Iron)
 - 180 Vrms @ 70,000 Feet for MS90538 (Powdered Iron)
- Body color is black

TAPE AND REEL SPECS:

Pcs./Reel maximum:	2500
Pitch between parts:	0.200 in.
Tape width:	2.062 in.
Reel diameter:	12 in.

continued from previous page

MLRF15M Wirewound, Molded, MIL-PRF-I 5305

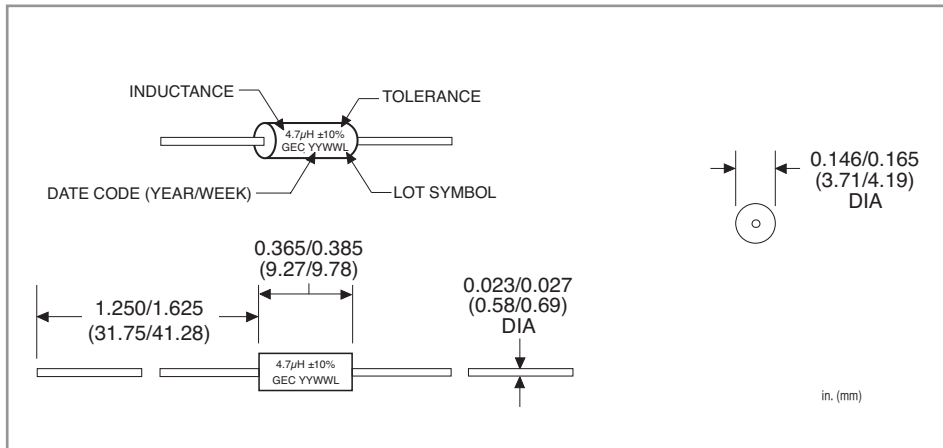
MS18130 Phenolic Core, MS14046 Powdered Iron Core, MS90538 Powdered Iron Core



PART NUMBER	MIL PART NUMBER	L μ H	Q MIN	TEST FREQ MHz	SRF MHz MIN	DCR OHMS MAX	CURRENT RATING mA DC
MS14046 POWDERED IRON CORE							
MLRF15M561K	MS14046-1	5.6	45	7.9	60	0.320	495
MLRF15M681K	MS14046-2	6.8	50	7.9	55	0.500	395
MLRF15M821K	MS14046-3	8.2	50	7.9	50	0.600	360
MLRF15M102K	MS14046-4	10	55	7.9	45	0.900	290
MLRF15M122K	MS14046-5	12	65	2.5	42	1.10	265
MLRF15M152K	MS14046-6	15	65	2.5	40	1.40	240
MLRF15M182K	MS14046-7	18	75	2.5	34	2.25	185
MLRF15M222K	MS14046-8	22	75	2.5	30	2.50	175
MLRF15M272K	MS14046-9	27	60	2.5	25	2.60	170
MLRF15M332K	MS14046-10	33	65	2.5	19	3.00	165

Suffix "M" for 20% tolerance, Suffix "K" for 10% tolerance or Suffix "J" for 5% tolerance

continued next page



NOTES:

- Operating Temperature Range:
 - 55°C to +125°C for MS18130 (Phenolic)
 - 55°C to +105°C for MS14046 & MS90538 (Powdered Iron)
- Temperature Class:
 - Class B (125°C) for MS18130 (Phenolic)
 - Class A (105°C) for MS14046 & MS90538 (Powdered Iron)
- Current Rating is @ a 90°C Ambient:
 - 35°C Rise for MS18130 (Phenolic)
 - 15°C Rise for MS14046 & MS90538 (Powdered Iron)
- Weight maximum:
 - 0.700 grams (0.0247 ounces) for MS18130 (Phenolic)
 - 0.898 grams (0.0317 ounces) for MS14046 & MS90538 (Powdered Iron)
- DWV 1000 Vrms @ Sea Level
 - 200 Vrms @ 70,000 Feet for MS18130 & MS14046 (Phenolic & Powdered Iron)
 - 180 Vrms @ 70,000 Feet for MS90538 (Powdered Iron)
- Body color is black

TAPE AND REEL SPECS:

Pcs./Reel maximum:	2500
Pitch between parts:	0.200 in.
Tape width:	2.062 in.
Reel diameter:	12 in.

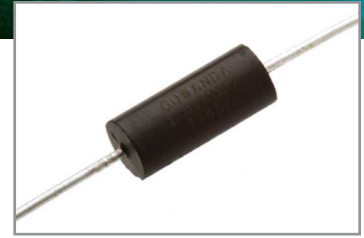
continued from previous page

MLRF15M



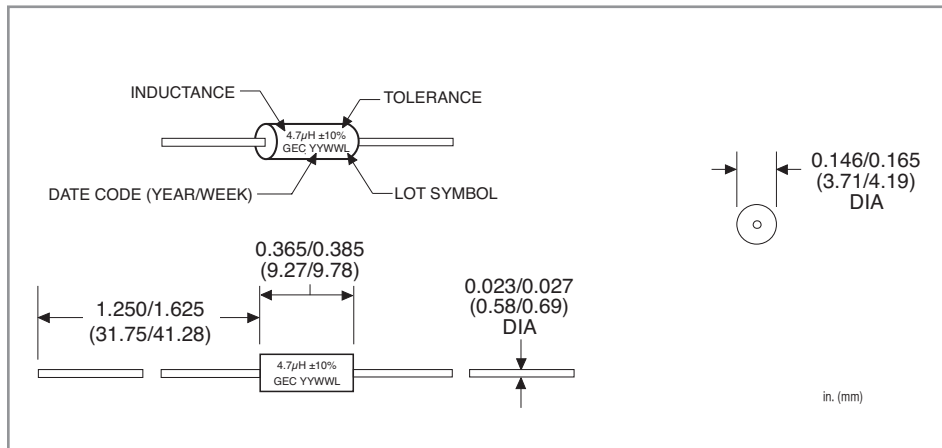
Wirewound, Molded, MIL-PRF-15305

MS18130 Phenolic Core, MS14046 Powdered Iron Core, MS90538 Powdered Iron Core



PART NUMBER	MIL PART NUMBER	L μ H	Q MIN	TEST FREQ MHZ	SRF MHz MIN	DCR OHMS MAX	CURRENT RATING mA DC
MS90538 POWDERED IRON CORE							
MLRF15M362J	MS90538-01	36	60	2.5	15.5	2.50	180
MLRF15M392J	MS90538-02	39	60	2.5	14.5	2.60	176
MLRF15M432J	MS90538-03	43	60	2.5	13.7	2.70	172
MLRF15M472J	MS90538-04	47	55	2.5	13.0	2.75	170
MLRF15M512J	MS90538-05	51	55	2.5	12.7	2.85	167
MLRF15M562J	MS90538-06	56	55	2.5	12.0	3.00	164
MLRF15M622J	MS90538-07	62	55	2.5	11.5	3.15	160
MLRF15M682J	MS90538-08	68	55	2.5	11.0	3.30	156
MLRF15M752J	MS90538-09	75	55	2.5	10.5	3.70	147
MLRF15M822J	MS90538-10	82	50	2.5	10.3	3.90	143
MLRF15M912J	MS90538-11	91	50	2.5	10.0	4.30	136
MLRF15M103J	MS90538-12	100	60	2.5	9.5	4.50	133
MLRF15M113J	MS90538-13	110	65	0.79	8.9	4.90	128
MLRF15M123J	MS90538-14	120	65	0.79	8.7	5.20	124
MLRF15M133J	MS90538-15	130	65	0.79	8.5	5.45	121
MLRF15M153J	MS90538-16	150	65	0.79	8.0	6.05	114
MLRF15M163J	MS90538-17	160	65	0.79	7.5	6.40	111
MLRF15M183J	MS90538-18	180	65	0.79	7.0	6.75	108
MLRF15M203J	MS90538-19	200	65	0.79	6.5	7.10	106
MLRF15M223J	MS90538-20	220	65	0.79	6.2	7.45	103
MLRF15M243J	MS90538-21	240	65	0.79	5.9	7.80	101

Suffix "M" for 20% tolerance, Suffix "K" for 10% tolerance or Suffix "J" for 5% tolerance



NOTES:

- Operating Temperature Range:
-55°C to +125°C for MS18130 (Phenolic)
-55°C to +105°C for MS14046 & MS90538 (Powdered Iron)
- Temperature Class:
Class B (125°C) for MS18130 (Phenolic)
Class A (105°C) for MS14046 & MS90538 (Powdered Iron)
- Current Rating is @ a 90°C Ambient:
35°C Rise for MS18130 (Phenolic)
15°C Rise for MS14046 & MS90538 (Powdered Iron)
- Weight maximum:
0.700 grams (0.0247 ounces) for MS18130 (Phenolic)
0.898 grams (0.0317 ounces) for MS14046 & MS90538 (Powdered Iron)
- DWV 1000 Vrms @ Sea Level
200 Vrms @ 70,000 Feet for MS18130 & MS14046 (Phenolic & Powdered Iron)
180 Vrms @ 70,000 Feet for MS90538 (Powdered Iron)
- Body color is black

TAPE AND REEL SPECS:

Pcs./Reel maximum:	2500
Pitch between parts:	0.200 in.
Tape width:	2.062 in.
Reel diameter:	12 in.