



MLP22

Wirewound, High Current, Molded, MIL-PRF-27

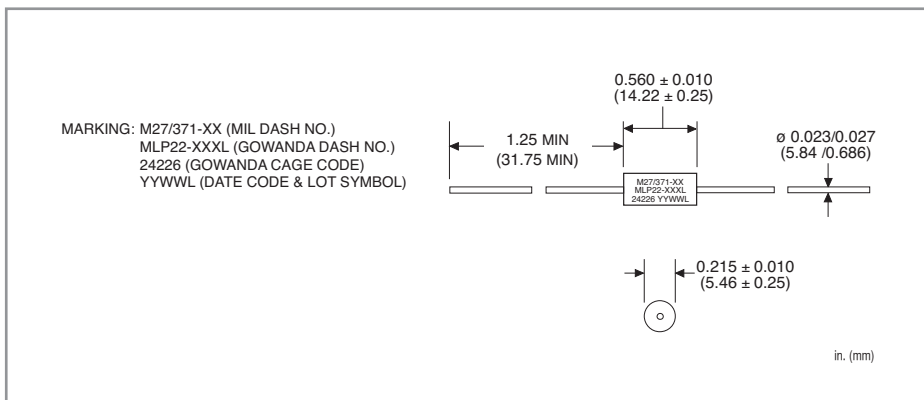
M27/371 Ferrite Core

PART NUMBER	MIL DASH NUMBER	L μ H @ 1 kHz *	DCR OHMS MAX	CURRENT RATING A DC	INC I A DC
M27/371 FERRITE CORE					
MLP22-220L	01	0.22	0.0080	7.00	7.00
MLP22-270L	02	0.27	0.0085	6.75	6.75
MLP22-330L	03	0.33	0.0090	6.50	6.50
MLP22-390L	04	0.39	0.0095	6.25	6.25
MLP22-470L	05	0.47	0.0100	6.00	6.00
MLP22-560L	06	0.56	0.0105	5.80	5.80
MLP22-680L	07	0.68	0.0110	5.70	5.70
MLP22-820L	08	0.82	0.0120	5.60	5.60
MLP22-101L	09	1.0	0.0130	5.50	5.50
MLP22-121L	10	1.2	0.0180	4.69	4.69
MLP22-151L	11	1.5	0.0200	4.45	4.45
MLP22-181L	12	1.8	0.0210	4.34	4.34
MLP22-221L	13	2.2	0.0290	3.70	3.70
MLP22-271L	14	2.7	0.0340	3.41	3.41
MLP22-331L	15	3.3	0.0380	3.23	3.23
MLP22-391L	16	3.9	0.0420	3.07	3.07
MLP22-471L	17	4.7	0.0470	2.90	2.90
MLP22-561L	18	5.6	0.0510	2.79	2.79
MLP22-681L	19	6.8	0.0580	2.61	2.61
MLP22-821L	20	8.2	0.0630	2.51	2.51
MLP22-102L	21	10	0.0710	2.36	2.36
MLP22-122L	22	12	0.0790	2.24	2.24
MLP22-152L	23	15	0.0890	2.11	2.11
MLP22-182L	24	18	0.1190	1.82	1.82
MLP22-222L	25	22	0.1520	1.61	1.61
MLP22-272L	26	27	0.1790	1.48	1.48
MLP22-332L	27	33	0.2220	1.33	1.33
MLP22-392L	28	39	0.3150	1.12	1.12
MLP22-472L	29	47	0.3620	1.04	1.04
MLP22-562L	30	56	0.3970	1.00	1.00
MLP22-682L	31	68	0.4180	0.970	0.970
MLP22-822L	32	82	0.6040	0.810	0.810
MLP22-103L	33	100	0.6720	0.760	0.760

All part numbers provide 15% tolerance on inductance

continued next page

* Measured with no dc current at 1 kHz



NOTES:

- Operating Temperature Range: -55° to +130°C
- Current Rating is based on a 45°C temperature rise at an ambient temperature of 85°C
- Incremental Current is the approximate value that will cause a 5% maximum decrease in inductance at a zero dc current
- DWV 1000 Vrms @ Sea Level
500 Vrms @ 70,000 Feet
- Grade 5, Encapsulated
- Weight maximum 2.5 grams

TAPE AND REEL SPECS:

Pcs./Reel maximum:	1000
Pitch between parts:	0.4 in.
Inside tape spacing:	2.5 in.
Class:	2

continued from previous page

MLP22



Wirewound, High Current, Molded, MIL-PRF-27

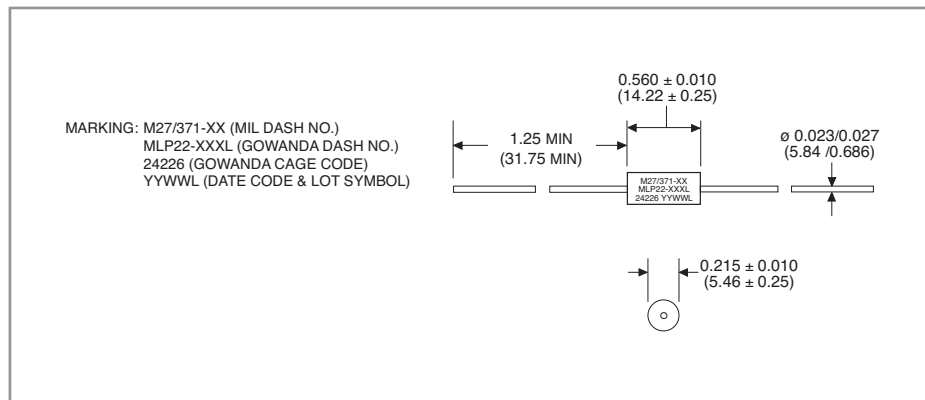
M27/371 Ferrite Core



PART NUMBER	MIL DASH NUMBER	L μ H @ 1 kHz *	DCR OHMS MAX	CURRENT RATING A DC	INC I A DC
M27/371 FERRITE CORE					
MLP22-123L	34	120	0.7350	0.730	0.730
MLP22-153L	35	150	0.9130	0.630	0.630
MLP22-183L	36	180	1.37	0.530	0.530
MLP22-223L	37	220	1.58	0.500	0.500
MLP22-273L	38	270	1.77	0.470	0.470
MLP22-333L	39	330	2.51	0.390	0.390
MLP22-393L	40	390	2.73	0.380	0.380
MLP22-473L	41	470	3.25	0.350	0.350
MLP22-563L	42	560	3.75	0.330	0.330
MLP22-683L	43	680	4.31	0.300	0.300
MLP22-823L	44	820	6.04	0.260	0.260
MLP22-104L	45	1000	6.90	0.240	0.240
MLP22-124L	46	1200	10.0	0.200	0.200
MLP22-154L	47	1500	12.5	0.178	0.178
MLP22-184L	48	1800	16.0	0.157	0.157
MLP22-224L	49	2200	20.0	0.141	0.141
MLP22-274L	50	2700	23.0	0.131	0.131
MLP22-334L	51	3300	25.0	0.126	0.126
MLP22-394L	52	3900	33.0	0.110	0.110
MLP22-474L	53	4700	37.0	0.130	0.103
MLP22-564L	54	5600	40.0	0.100	0.100
MLP22-684L	55	6800	62.0	0.080	0.080
MLP22-824L	56	8200	66.0	0.077	0.077
MLP22-105L	57	10000	74.0	0.071	0.071
MLP22-125L	58	12000	93.0	0.065	0.065
MLP22-155L	59	15000	105.0	0.061	0.061
MLP22-185L	60	18000	143.0	0.052	0.052
MLP22-225L	61	22000	160.0	0.050	0.050

All part numbers provide 15% tolerance on inductance

* Measured with no dc current at 1 kHz



NOTES:

- Operating Temperature Range: -55° to +130°C
- Current Rating is based on a 45°C temperature rise at an ambient temperature of 85°C
- Incremental Current is the approximate value that will cause a 5% maximum decrease in inductance at a zero dc current
- DWV 1000 Vrms @ Sea Level
500 Vrms @ 70,000 Feet
- Grade 5, Encapsulated
- Weight maximum 2.5 grams

TAPE AND REEL SPECS:

Pcs./Reel maximum:	1000
Pitch between parts:	0.4 in.
Inside tape spacing:	2.5 in.
Class:	2