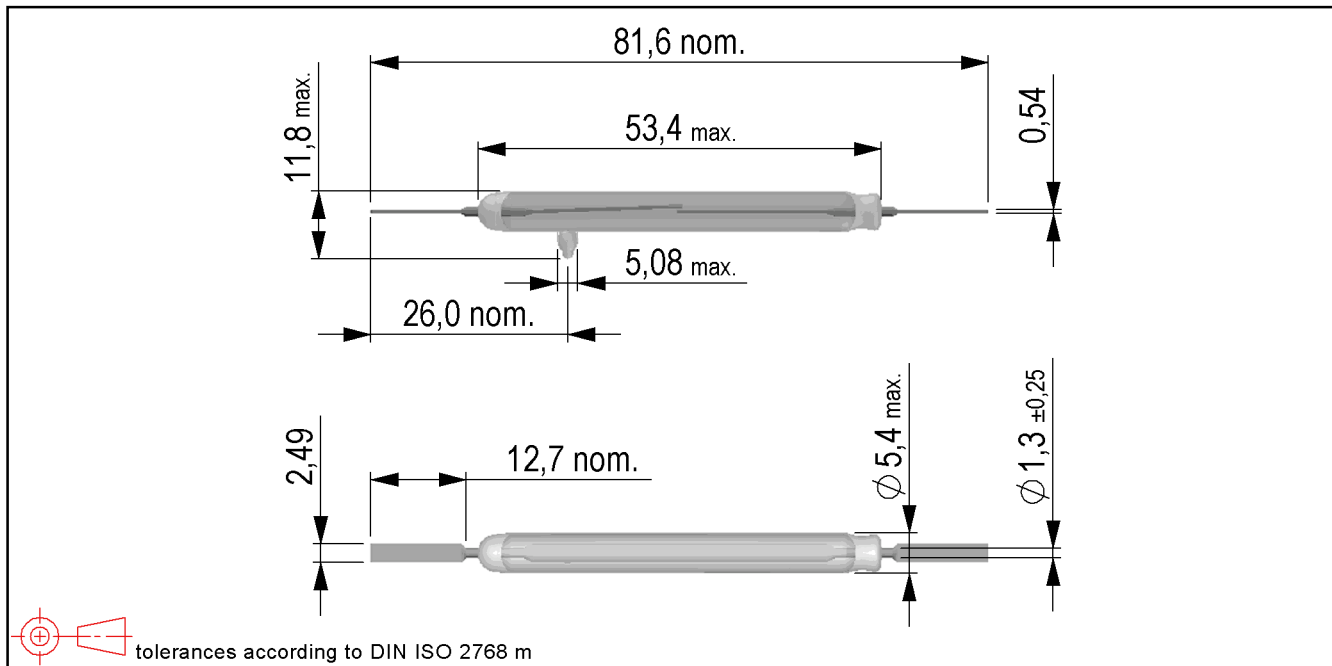


Products for tomorrow...



Magnetic properties	Conditions	Min	Typ	Max	Unit
Pull-In excitation (Reference value)	Reed switch unmodified measured in coil-"define operation"	120		170	AT
Test-Coil	Reed switch unmodified	KMS-04			

Contact data 69	Conditions	Min	Typ	Max	Unit
Contact-No.		69			
Contact-form		A			
Contact-material		Tungsten			
Contact rating	Any DC combination of V & A not to exceed their individual max.'s			50	W
Switching voltage	DC or Peak AC			10.000	V
Switching current	DC or Peak AC			3	A
Carry current	DC or Peak AC			5	A
Contact resistance static	Measured with 40% overdrive Start Value			150	mOhm
Contact resistance dynamic	Maximum value 1,5 ms after excitation Start Value			250	mOhm
Contact resistance static	measured with nominal voltage at 20 °C			999	mOhm
Insulation resistance	RH <45 %, 100 V test voltage	10			GOhm
Breakdown voltage	according to IEC 255-5	15.000			VDC
Operate time incl. bounce	measured with 40% overdrive			3	ms
Release time	measured with no coil excitation			1,5	ms
Operate time incl. bounce	measured with nominal voltage at 20 °C			999	ms
Capacitance	@ 10 kHz across open switch		0,8		pF

Contact dimensions C	Conditions	Min	Typ	Max	Unit
Overall length	Tolerance according to drawing		81,6		mm
Glass body length	Tolerance according to drawing		53,4		mm

Environmental data	Conditions	Min	Typ	Max	Unit
Shock	1/2 sine wave duration 11 ms			50	g
Vibration	from 10 - 2000 Hz			20	g
Operating temperature		-40		130	°C
Storage temperature		-55		130	°C
Soldering temperature	wave soldering max. 5 sec			260	°C