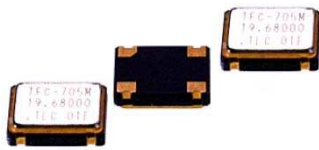


Voltage Controlled Crystal Oscillator (VCXO)

High stability
Ceramic Package
Miniature type

Pb-free : RoHs compliance



VCX-3225C1 / C2 / C3

■ Typical applications

- MPEG. ADSL. Settop Box. Etc.

■ Features

- 1.5 to 54 MHz.
- C-MOS out (15pF).
- Miniature type essential in the high density PCB.
- Package : Metal lid + Ceramic package.
- 3.2×2.5×1.0mm

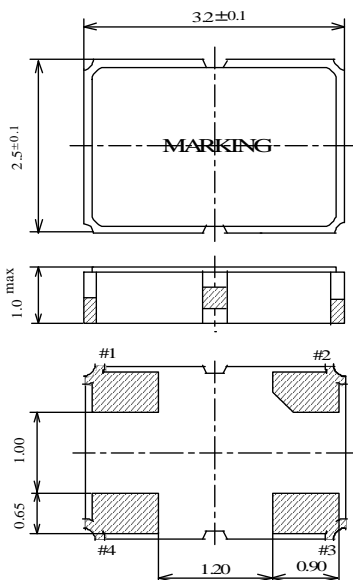
■ Specifications

Model		VCX-3225C1	VCX-3225C2	VCX-3225C3
Available Frequency Range		1.500 to 54.000 MHz		
Frequency Stability		±30 ppm(-20 to +70° C) , ±50 ppm,±100 ppm(-40 to +85° C)		
Operating Temperature		-20 to +70° C , -40 to +85° C		
Storage Temperature		-40 to +85° C		
Power Supply Voltage		1.8V±5%	2.8V±5%	3.3V±5%
Power Supply Current Consumption		±80 ppm min / +0.9±0.9V	±90 ppm min / +1.4±1.4V	±100 ppm min / +1.65±1.65V
		3.0 mA max	5.0 mA max	5.0 mA max
Output	Level	VOL : 10%VDD max. / VOH : 90%VDD min.		
	Load	C-MOS (15 pF max.)		
	Rise & Fall Time	10ns max. F>40MHz at 10% to 90% Vdd		
	Duty Cycle	45 to 55% at 50% Vdd		
Phase noise		-130dBc / Hz typ. (at 1 KHz)		
Tri state Function		#2 : N.C. or "H" → Outout enable / #2 : "L" → Hi-Z (Output disable)		

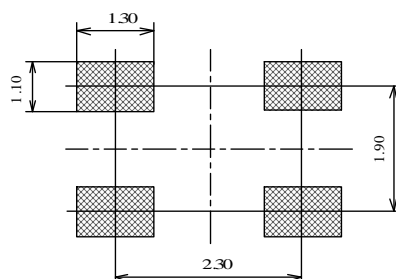
■ Environmental Characteristics

Description	Specification
Fall Shock	Test : 3 time free drop onto concrete board from 150cm high Result: ±5.0 ppm max.
Vibration Shock	Test : Freq. 5-500Hz, Amplitude 1.5mm, Test time 4cycles/XYZ axis Result: ±5.0 ppm max.
Solderability	Test : Immersed into solder bath at 235±° C for 3 sec. Result: More than 95%
Humidity	Test : 90 to 95%RH at 60±3° C±500 hours Result: ±5.0 ppm max.
Reflow Heat	Test : 2 times of IR reflow soldering in accordance with reflow temerature profil as per the document No.:TR-0531 Result: ±1.0 ppm max.

■ Outline Drawing & Suggested Pad



■ Suggested Pad (Top View)



TERMINAL	CONNECTION
#1	Vcont
#2	GND
#3	OUTPUT
#4	Vdd