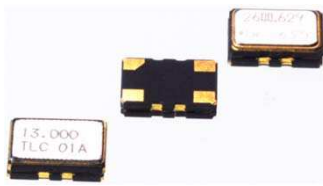


# Temperature Compensated Crystal Oscillator ( TCXO/VCTCXO )

High stability  
Ceramic Package  
One chip IC

Pb-free : RoHs compliance



## CO-SL3225 , CO-SL3225V

### ■ Typical applications

- Mobile Telecommunication, Cellular Phone, Base Station, GPS, PHS

### ■ Features

- 10.000 to 52.000 MHz.
- High Stability( $\pm 0.5$ ppm), Low Power Supply Voltage( 1.7V, 1.8V ).
- Miniature type essential in the high density PCB.
- Package : Metal lid + Ceramic package.
- 3.2 $\times$ 2.5 $\times$ 1.0mm

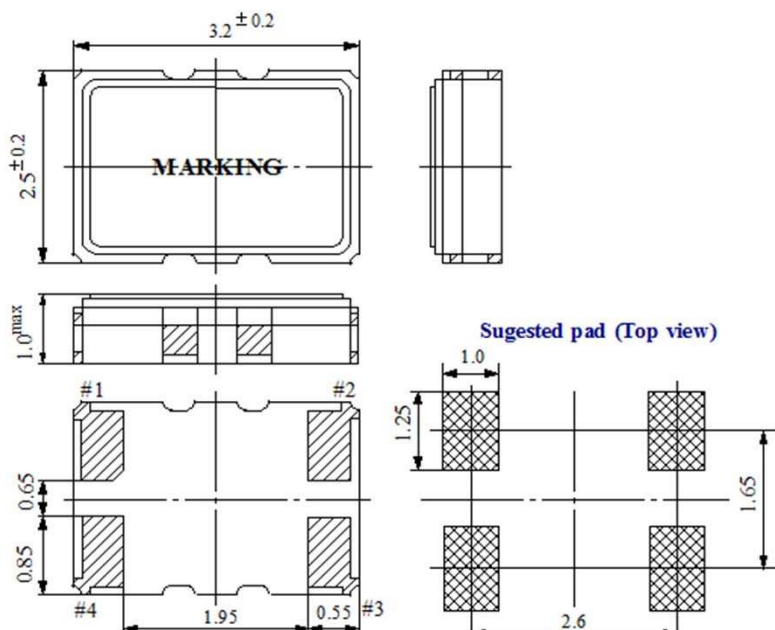
### ■ Specifications

Model		CO-SL3225	CO-SL3225V
Available Frequency Range		10.000 to 52.000 MHz	
Frequency Stability	Tolerance (at 25°C)	$\pm 1.0$ ppm	
	Temperature(Ref. to 25°C)	$\pm 0.5$ ppm to $\pm 1.0$ ppm (-30 to +85° C)	
	Supply Voltage Change	$\pm 0.2$ ppm	
	Load Change	$\pm 0.2$ ppm	
Power Supply Voltage		+1.7V, +1.8V	
Power Supply Current		1.5 mA max.	
Output	Voltage	0.8 Vp-p min.	
	Load	10 K $\Omega$ // 10 pF	
	Waveform	Clipped Sine Wave (DC Coupled)	
External Control Function		—	$\pm 3.0$ to $\pm 5.0$ ppm / +0.9 $\pm$ 0.6V DC
Storage Temperature Range		-40 to +85° C	
Phase Noise		-135 dBc/Hz max (at 1KHz)	

### ■ Environmental Characteristics

Description	Specification
Aging (at 25° C)	$\pm 1.0$ ppm max / Year (at 25° C)
Fall Shock	Test : 3 time free drop onto concrete board from 150cm high Result: $\pm 1.0$ ppm max.
Vibration Shock	Test : Freq. 5-500Hz, Amplitude 1.5mm, Test time 4cycles/XYZ axis Result: $\pm 1.0$ ppm max.
Solderability	Test : Immersed into solder bath at 235 $\pm$ ° C for 3 sec. Result: More than 95%
Humidity	Test : 90 to 95%RH at 60 $\pm$ 3° C $\pm$ 500 hours Result: $\pm 1.0$ ppm max.
Reflow Heat	Test : 2 times of IR reflow soldering in accordance with reflow temperature profile as per the document No.:TR-0531 Result: $\pm 1.0$ ppm max.

### ■ Outline Drawing & Suggested Pad



TERMINAL	CONNECTION	
	TCXO	VCTCXO
#1	GND	Vcont
#2	GND	GND
#3	OUTPUT	OUTPUT
#4	Vcc	Vcc