

Part Number PRX+0900 Contact Form C Switch Configuration SPDT Rev. B

### Threaded Proximity Sensor

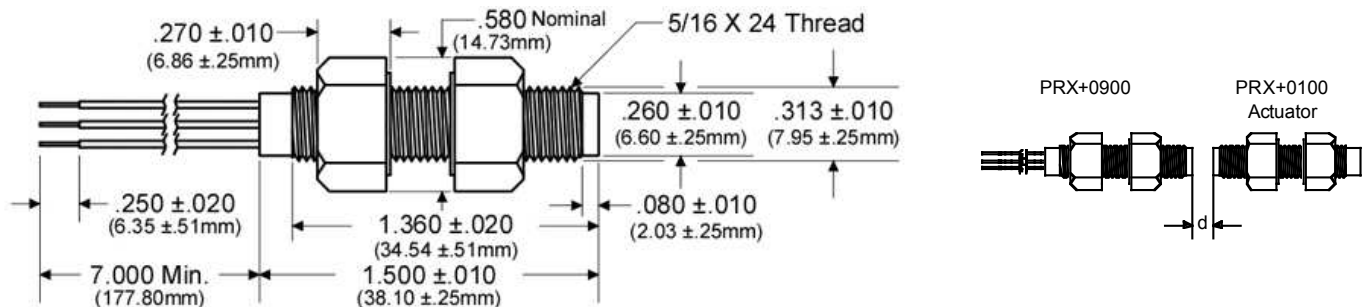
Features	Advantages
<ul style="list-style-type: none"> <li>Hermetically sealed contacts</li> <li>Black Valox housing</li> <li>Position adjustable</li> </ul>	<ul style="list-style-type: none"> <li>Extended operations in extreme environments</li> <li>Not ESD sensitive</li> <li>Custom sensitivity and configurations available</li> </ul>

### Electrical Specifications

Power		Watts - maximum	3
Voltage	Switching	VDC - maximum	120
	Breakdown	VDC - minimum	300
Current	Switching	Amp - maximum	0.25
	Carry	Amp - maximum	2.6
Resistance	Initial Contact Resistance	Ohm - maximum	0.25
	Insulation Resistance	Ohm - minimum	1 E9
Capacitance	Contact	pF - typical	1.7
Temperature	Operating	°C - maximum	+105
	Storage	°C	-40 to +140

### Physical/Operational Specifications

Housing Volume	Excluding Connection	CC - nominal	1.9
External Connection	24 AWG	UL 1007/1569	PVC
Must Operate	Distance (d)	Inches	0.200
Must Release	Distance (d)	Inches	0.750
Operate Time	Including Bounce	mSeconds - maximum	1
Release Time		mSeconds - maximum	0.8



- Notes:
- (1) Specifications are not constant across entire magnetic range.
  - (2) Customer must exercise care in handling and mounting to prevent damage to internal components and subsequent changes to sensor performance.
  - (3) For information about performance, custom configuration (i.e. wire length or color; connectors; operational variation), or packaging contact our Sales department.
  - (4) Information contained hereon is for informational purposes only and should not be deemed as accurate for a specific application. Consult factory for specific application information and/or latest revision.