

Part Number PRX+890100 Contact Form A Switch Configuration SPST Rev. C

Low-Profile Proximity Sensor

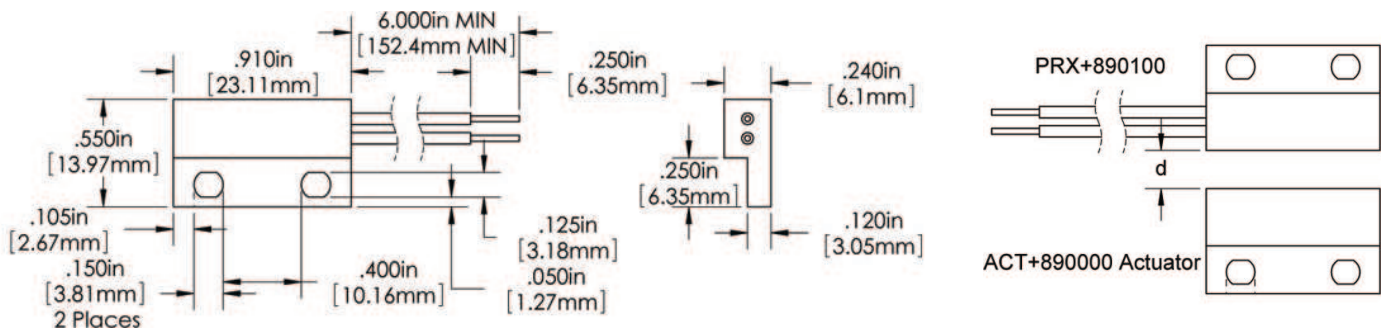
Features	Advantages
<ul style="list-style-type: none"> Hermetically sealed contacts Low profile design AC Rating: 120 VAC Black ABS housing 	<ul style="list-style-type: none"> Extended operations in extreme environments Not ESD sensitive Non-obtrusive appearance

Electrical Specifications

Power		Watts - maximum	10
Voltage	Switching	VDC - maximum	100
	Breakdown	VDC - minimum	250
Current	Switching	Amp - maximum	0.5
	Carry	Amp - maximum	TBD
Resistance	Initial Contact Resistance	Ohm - maximum	0.10
	Insulation Resistance	Ohm - minimum	1 E9
Capacitance	Contact	pF - typical	1
Temperature	Operating	°C - maximum	-10 to +80
	Storage	°C	-25 to +85

Physical/Operational Specifications

Housing Volume	Excluding Connection	CC - nominal	1.97
External Connection	26 AWG	UL 1007	PVC
Must Operate	Distance (d)	Inches	0.200
Must Release	Distance (d)	Inches	0.400
Operate Time	Including Bounce	mSeconds - maximum	0.6
Release Time		mSeconds - maximum	0.3



Notes:

- Specifications are not constant across entire magnetic range.
- Customer must exercise care in handling and mounting to prevent damage to internal components and subsequent changes to sensor performance.
- For information about performance, custom configuration (i.e. wire length or color; connectors; operational variation), or packaging contact our Sales department.
- Information contained hereon is for informational purposes only and should not be deemed as accurate for a specific application. Consult factory for specific application information and/or latest revision.