

Part Number PRX+11700 Contact Form A Switch Configuration SPST Rev. B

Ferrous Metal Sensor

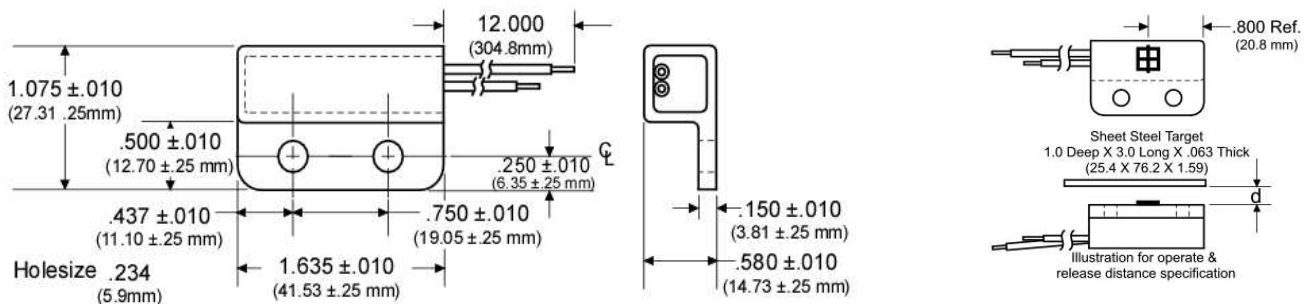
Features	Advantages
<ul style="list-style-type: none"> • Hermetically sealed contacts • Black ABS housing • Extra strong mounting flange • PRX+11500 & PRX+11900 offer alternate sensing pos 	<ul style="list-style-type: none"> • Extended operations in extreme environments • Not ESD sensitive • Patented sensing design

Electrical Specifications

Power		Watts - maximum	10
Voltage	Switching	VDC - maximum	100
	Breakdown	VDC - minimum	200
Current	Switching	Amp - maximum	0.25
	Carry	Amp - maximum	TBD
Resistance	Initial Contact Resistance	Ohm - maximum	1
	Insulation Resistance	Ohm - minimum	1 E11
Capacitance	Contact	pF - typical	0.8
Temperature	Operating	°C - maximum	+80
	Storage	°C	-40 to +105

Physical/Operational Specifications

Housing Volume	Excluding Connection	CC - nominal	16.7
External Connection	16AWG	SAE J1128	Polyethylene
Must Operate	Distance (d)	Inches	.250
Must Release	Distance (d)	Inches	.625
Operate Time	Including Bounce	mSeconds - maximum	1
Release Time		mSeconds - maximum	0.3



- Notes:
- (1) Specifications are not constant across entire magnetic range.
 - (2) Customer must exercise care in handling and mounting to prevent damage to internal components and subsequent changes to sensor performance.
 - (3) For information about performance, custom configuration (i.e. wire length or color; connectors; operational variation), or packaging contact our Sales department.
 - (4) Information contained hereon is for informational purposes only and should not be deemed as accurate for a specific application. Consult factory for specific application information and/or latest revision.