

Part Number HSR-630R Contact Form C Switch Configuration SPDT Rev. E

**Standard Large Form C Switch Suitable for Many Applications**

Features	Advantages
<ul style="list-style-type: none"> <li>Hermetically sealed contacts</li> <li>Leaded glass currently exempted from RoHS requirements</li> </ul>	<ul style="list-style-type: none"> <li>Not ESD sensitive</li> <li>Extended operations in extreme environments</li> <li>CSA Certified file # 236890</li> </ul>

**Electrical Specifications**

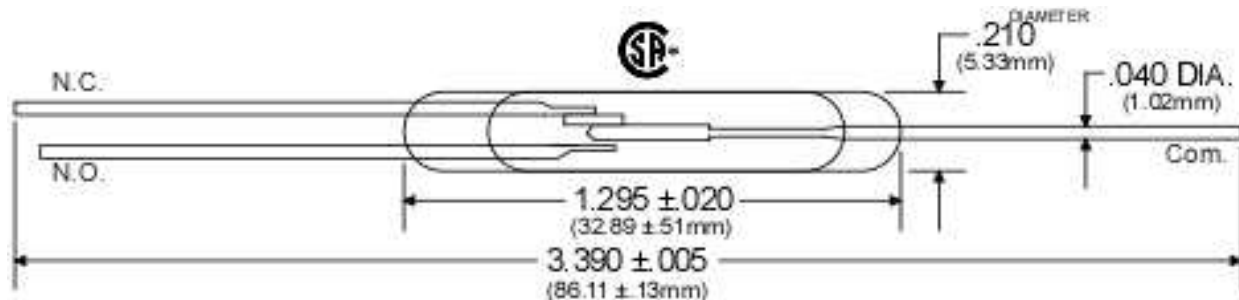
Power		Watts - maximum	25
Voltage	Switching	VDC - maximum	150
	Breakdown	VDC - minimum	350
Current	Switching		1
	Carry		6.2
Resistance	Initial Contact Resistance	Ohm - maximum	0.10
	Insulation Resistance	Ohm - minimum	1 E9
Capacitance	Contact	pF - typical	2.2
Temperature	Operating	°C	-40 to +125
	Storage	°C	-40 to +200

**Magnetic Specifications**

Pull - In Range		Ampere Turns	40-80
Test Coil		NARM RS-421-A	Coil IV

**Physical/Operational Specifications**

Capsule Volume	Excluding Leads	CC - nominal	0.74
Contact Material			Rhodium
Operate Time	Including Bounce	mSeconds - maximum	2.70
Release Time		mSeconds - maximum	4.50



**Notes:**

- (1) Specifications are not constant across entire magnetic range.
- (2) Customer must exercise care in handling, mounting, lead forming, and cutting to prevent damage to glass capsule and/or switch sensitivity.
- (3) For information or custom configurations about performance, mounting options or packaging, contact our Sales (4) department.

Information contained hereon is for informational purposes only and should not be deemed as accurate for a specific application. Consult factory for specific application information and/or latest revision.