

Part Number **HSR-522R** Contact Form **C** Switch Configuration **SPDT** Rev. **G**

### Standard Size Form C Switch with Low Sensitivity Capability

| Features   | Advantages   |
|--|--|
| <ul style="list-style-type: none"> <li>Hermetically sealed contacts</li> <li>Leaded glass currently exempted from RoHS requirements</li> </ul> | <ul style="list-style-type: none"> <li>Extended operations in extreme environments</li> <li>Not ESD sensitive</li> </ul> |

### Electrical Specifications

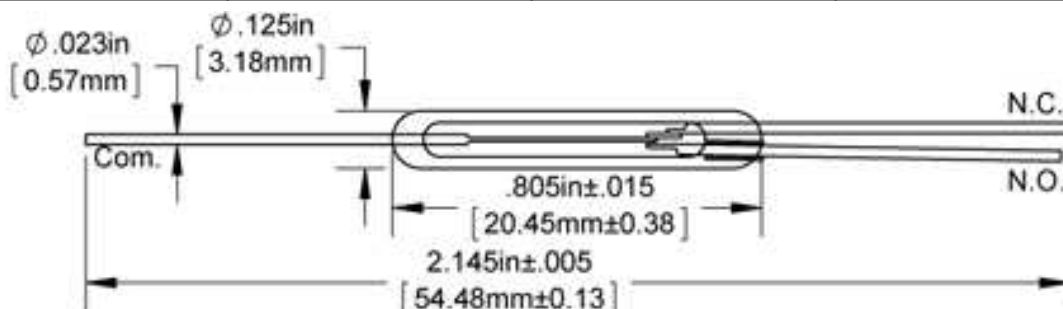
|             |                            |                 |             |
|-------------|----------------------------|-----------------|-------------|
| Power       |                            | Watts - maximum | 8           |
| Voltage     | Switching                  | VDC - maximum   | 120         |
|             | Breakdown                  | VDC - minimum   | 150         |
| Current     | Switching                  | Amp - maximum   | 0.3         |
|             | Carry                      | Amp - maximum   | 3.2         |
| Resistance  | Initial Contact Resistance | Ohm - maximum   | 0.15        |
|             | Insulation Resistance      | Ohm - minimum   | 1 E10       |
| Capacitance | Contact                    | pF - typical    | 1.6         |
| Temperature | Operating                  | °C              | -40 to +125 |
|             | Storage                    | °C              | -40 to +200 |

### Magnetic Specifications

|                 |  |               |         |
|-----------------|--|---------------|---------|
| Pull - In Range |  | Ampere Turns  | 10-50   |
| Test Coil       |  | NARM RS-421-A | Coil II |

### Physical/Operational Specifications

|                  |                  |                    |         |
|------------------|------------------|--------------------|---------|
| Capsule Volume   | Excluding Leads  | CC - nominal       | 0.16    |
| Contact Material |                  |                    | Rhodium |
| Operate Time     | Including Bounce | mSeconds - maximum | 1.10    |
| Release Time     |                  | mSeconds - maximum | 1.40    |



#### Notes:

- (1) Specifications are not constant across entire magnetic range.
- (2) Customer must exercise care in handling, mounting, lead forming, and cutting to prevent damage to glass capsule and/or switch sensitivity.
- (3) For information or custom configurations about performance, mounting options or packaging, contact our Sales (4) department.

Information contained hereon is for informational purposes only and should not be deemed as accurate for a specific application. Consult factory for specific application information and/or latest revision.