

Part Number **HSR-502R** Contact Form **C** Switch Configuration **SPDT** Rev. **J**

One of the Smallest Form C Switches Made in the World

Features	Advantages
<ul style="list-style-type: none"> Hermetically sealed contacts Leaded glass currently exempted from RoHS requirements 	<ul style="list-style-type: none"> Extended operations in extreme environments Not ESD sensitive Designed for tiny relays or miniature proximity sensors

Electrical Specifications

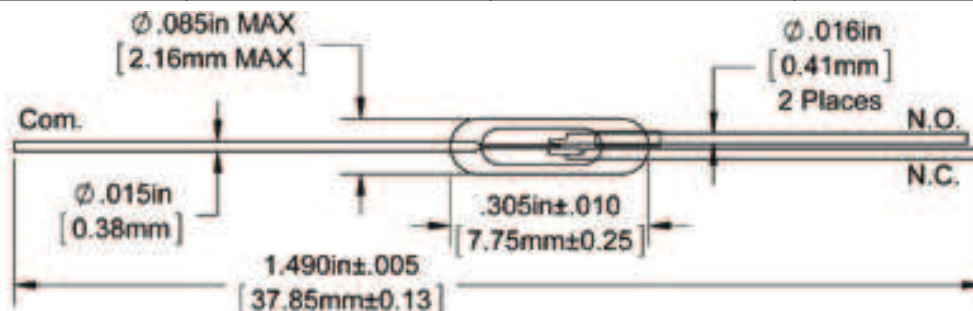
Power		Watts - maximum	2
Voltage	Switching	VDC - maximum	30
	Breakdown	VDC - minimum	200
Current	Switching	Amp - maximum	0.1
	Carry	Amp - maximum	1.2
Resistance	Initial Contact Resistance	Ohm - maximum	0.30
	Insulation Resistance	Ohm - minimum	1 E10
Capacitance	Contact	pF - typical	1.4
Temperature	Operating	°C	-40 to +125
	Storage	°C	-40 to +200

Magnetic Specifications

Pull - In Range		Ampere Turns	15-35
Test Coil		NARM RS-421-A	Coil I

Physical/Operational Specifications

Capsule Volume	Excluding Leads	CC - nominal	0.03
Contact Material			Rhodium
Operate Time	Including Bounce	mSeconds - maximum	0.30
Release Time		mSeconds - maximum	0.30



Notes:

- Specifications are not constant across entire magnetic range.
- Customer must exercise care in handling, mounting, lead forming, and cutting to prevent damage to glass capsule and/or switch sensitivity.
- For information or custom configurations about performance, mounting options or packaging, contact our Sales (4) department.

Information contained hereon is for informational purposes only and should not be deemed as accurate for a specific application. Consult factory for specific application information and/or latest revision.