

Part Number HSR-023R Contact Form A Switch Configuration SPST Rev. F

Industry Standard Size

Features	Advantages
<ul style="list-style-type: none"> Hermetically sealed contacts Switch materials are Lead free and RoHS compliant 	<ul style="list-style-type: none"> Extended operations in extreme environments Not ESD sensitive

Electrical Specifications

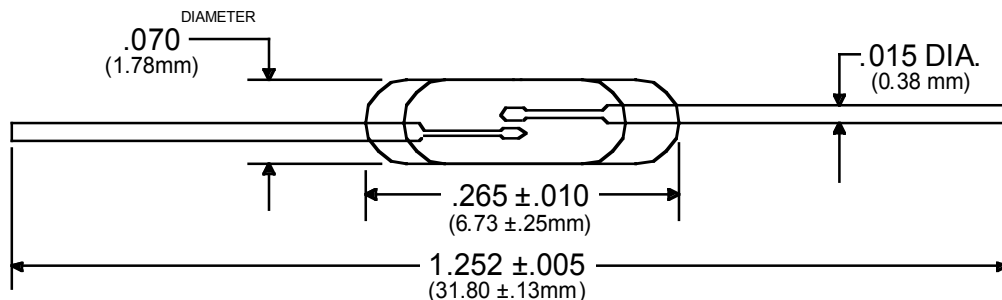
Power		Watts - maximum	3
Voltage	Switching	VDC - maximum	100
	Breakdown	VDC - minimum	175
Current	Switching		0.25
	Carry		1.1
Resistance	Initial Contact Resistance	Ohm - maximum	0.15
	Insulation Resistance	Ohm - minimum	1 E12
Capacitance	Contact	pF - typical	0.5
Temperature	Operating	°C	-40 to +125
	Storage	°C	-40 to +200

Magnetic Specifications

Pull - In Range		Ampere Turns	5-30
Test Coil		NARM RS-421-A	Coil I

Physical/Operational Specifications

Capsule Volume	Excluding Leads	CC - nominal	0.02
Contact Material			Rhodium
Operate Time	Including Bounce	mSeconds - maximum	0.30
Release Time		mSeconds - maximum	0.10



Notes:

- (1) Specifications are not constant across entire magnetic range.
- (2) Customer must exercise care in handling, mounting, lead forming, and cutting to prevent damage to glass capsule and/or switch sensitivity.
- (3) For information or custom configurations about performance, mounting options or packaging, contact our Sales (4) department.

Information contained hereon is for informational purposes only and should not be deemed as accurate for a specific application. Consult factory for specific application information and/or latest revision.