

Part Number HSR-0025D Contact Form A Switch Configuration SPST Rev. G

**World's Smallest and Most Sensitive Magnetically Operated Reed Switch**

Features	Advantages
<ul style="list-style-type: none"> <li>• Hermetically sealed contacts</li> <li>• .035 height profile</li> <li>• .010 lead diameter</li> <li>• Oval body shape</li> <li>• Switch materials are Lead free &amp; RoHs compliant</li> </ul>	<ul style="list-style-type: none"> <li>• Extended operations in extreme environments</li> <li>• Not ESD sensitive</li> <li>• World's smallest reed switch</li> <li>• World's most magnetically sensitive reed switch</li> <li>• Pick-and-place capable</li> <li>• Hi-Rel version available</li> </ul>

**Electrical Specifications**

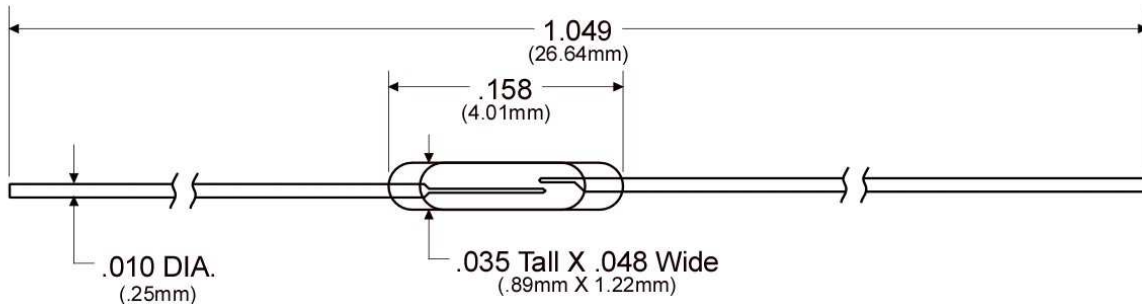
Power		Watts - maximum	0.25
Voltage	Switching	VDC - maximum	30
	Breakdown	VDC - minimum	80
Current	Switching		0.01
	Carry		0.7
Resistance	Initial Contact Resistance	Ohm - maximum	0.75
	Insulation Resistance	Ohm - minimum	1 E11
Capacitance	Contact	pF - typical	0.7
Temperature	Operating	°C	-40 to +125
	Storage	°C	-40 to +200

**Magnetic Specifications**

Pull - In Range		Ampere Turns	2-15
Test Coil		NARM RS-421-A	Coil I

**Physical/Operational Specifications**

Capsule Volume	Excluding Leads	CC - nominal	0.0037
Contact Material			Durel
Operate Time	Including Bounce	mSeconds - maximum	0.30
Release Time		mSeconds - maximum	0.20



**Notes:**

- (1) Specifications are not constant across entire magnetic range.
- (2) Customer must exercise care in handling, mounting, lead forming, and cutting to prevent damage to glass capsule and/or switch sensitivity.
- (3) For information or custom configurations about performance, mounting options or packaging, contact our Sales (4) department.

Information contained hereon is for informational purposes only and should not be deemed as accurate for a specific application. Consult factory for specific application information and/or latest revision.