

Part Number **HSA-12100** Contact Form **C** witch Configuration **SPDT** Rev. **D**

SPDT Contacts Designed for High Voltage and High Power

Features	Advantages
<ul style="list-style-type: none"> Hermetically sealed contacts Leaded glass currently exempted from RoHS requirements Tungsten contacts in vacuum environment Voltage Breakdown determined with maximum of 3 μA leakage current 	<ul style="list-style-type: none"> Extended operations in extreme environments Not ESD sensitive Suitable for high/inductive current loads High voltage isolation Industry's lowest leakage current Capable of switching power loads between 3 and 100 watts

Electrical Specifications

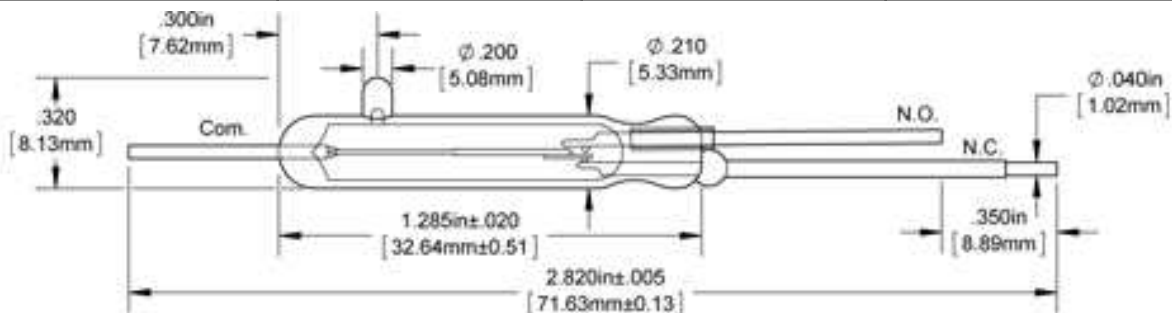
Power		Watts - maximum	100
Voltage	Switching	VDC - maximum	2500
	Breakdown	VDC - minimum	5000
Current	Switching	Amp - maximum	3
	Carry	Amp - maximum	3.2
Resistance	Initial Contact Resistance	Ohm - maximum	0.50
	Insulation Resistance	Ohm - minimum	1 E10
Capacitance	Contact	pF - typical	3.3
Temperature	Operating	°C	-60 to +125
	Storage	°C	-100 to +200

Magnetic Specifications

Pull - In Range		Ampere Turns	70-110
Test Coil		NARM RS-421-A	Coil III

Physical/Operational Specifications

Capsule Volume	Excluding Leads	CC - nominal	0.82
Contact Material			Tungsten
Operate Time	Including Bounce	mSeconds - maximum	4.50
Release Time		mSeconds - maximum	3.70



Notes:

- (1) Specifications are not constant across entire magnetic range.
- (2) Customer must exercise care in handling, mounting, lead forming, and cutting to prevent damage to glass capsule and/or switch sensitivity.
- (3) For information or custom configurations about performance, mounting options or packaging, contact our Sales
- (4) department.

Information contained hereon is for informational purposes only and should not be deemed as accurate for a specific application. Consult factory for specific application information and/or latest revision.