

Part Number HSR-134W Contact Form A Switch Configuration SPST Rev. D

Significant Power Rating in Medium Sized Reed Switch

Features	Advantages
<ul style="list-style-type: none"> Hermetically sealed contacts Switch materials are lead free and RoHS compliant Solid Tungsten contacts 	<ul style="list-style-type: none"> Extended operations in extreme environments Not ESD sensitive Capable of switching power loads between 3 and 100 watts

Electrical Specifications

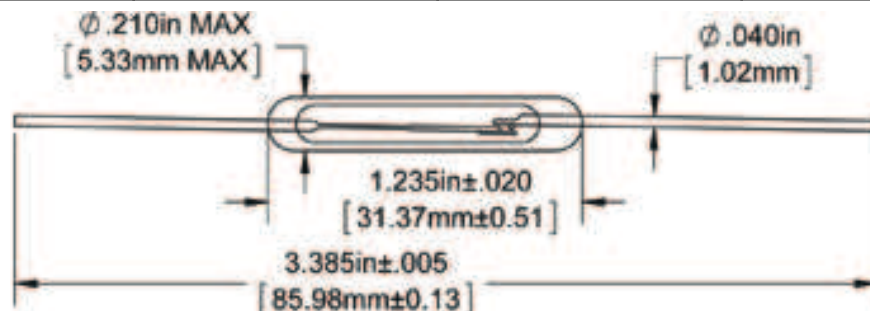
Power		Watts - maximum	100
Voltage	Switching	VDC - maximum	120
	Breakdown	VDC - minimum	700
Current	Switching	Amp - maximum	3
	Carry	Amp - maximum	5.1
Resistance	Initial Contact Resistance	Ohm - maximum	0.50
	Insulation Resistance	Ohm - minimum	1 E11
Capacitance	Contact	pF - typical	0.9
Temperature	Operating	°C	-40 to +125
	Storage	°C	-40 to +200

Magnetic Specifications

Pull - In Range		Ampere Turns	60-100
Test Coil		NARM RS-421-A	Coil III

Physical/Operational Specifications

Capsule Volume	Excluding Leads	CC - nominal	0.7
Contact Material			Tungsten Bar and Plate
Operate Time	Including Bounce	mSeconds - maximum	6.00
Release Time		mSeconds - maximum	0.70



Notes:

- Specifications are not constant across entire magnetic range.
- Customer must exercise care in handling, mounting, lead forming, and cutting to prevent damage to glass capsule and/or switch sensitivity.
- For information or custom configurations about performance, mounting options or packaging, contact our Sales (4) department.

Information contained hereon is for informational purposes only and should not be deemed as accurate for a specific application. Consult factory for specific application information and/or latest revision.