



PXI series - 11W Triple High Reliability DC-DC Converters

Outline Product Specification

FEATURES

- High Reliability & Small Size
- Three Outputs
- Output Over Current & Short Circuit Protection
- Input to Output Isolated
- Metal-Sealed, Suitable for PCB Mount



The PXI19200N12T-11M(A) Series high voltage DC-DC converter is a kind of power supply module with small package and high reliability.

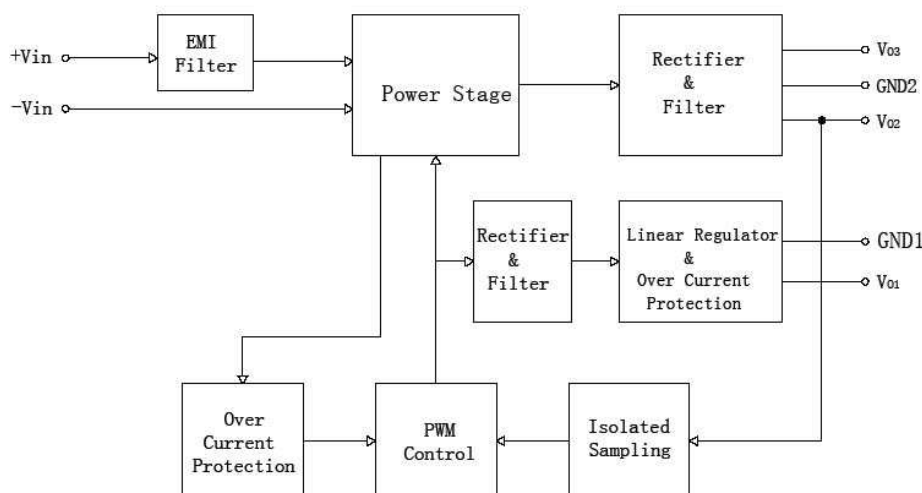
The output voltages are separately $-200V_{DC}$ and $\pm 12V_{DC}$, and the output power is 11W. The conductive interference is reduced by Built-in LC filters. Internal high capacitance ceramic capacitors in the output loop can suppress the output voltage ripple effectively.

The typical input voltage is $19V_{DC}$, and the input voltage ranges from $16.5V_{DC}$ to $22V_{DC}$. $29V_{DC}$.

ABSOLUTE MAXIMUM RATINGS

Input Voltage:	$16.5V_{DC}$ to $+22V_{DC}$
Pin-Solder Temp (10s):	$300^{\circ}C$
Storage Temp:	$-55^{\circ}C$ to $+85^{\circ}C$
Output Current I_{O1} : I_{O2} = I_{O3}	5mA; 400mA
Operating Temp (Ambient):	$-40^{\circ}C$ to $+55^{\circ}C$

BLOCK DIAGRAM



THE MAIN CHARACTERISTICS

Input Characteristics							
	Min	Typ	Max	Units			
Input Voltage	16.5	19	22	V			
Efficiency (Full Load)	74	-	-	%			
Output Characteristics							
	-200V			±12V			Units
	Min	Typ	Max	Min	Typ	Max	
Output Current	-	5.0	-	-	400.0	-	mA
Output Voltage Accuracy	-195	-200	-210	±11.88	±12.00	±12.12	V _{out}
Load Regulation	-	3	-	-	0.2	0.5	%
Line Regulation	-	3	-	-	0.2	0.5	%
Ripple Voltage V _{RMS} (20MHz) ^①	-	30	-	-	10	-	mV
Start-up Delay	-	35	-	-	35	-	ms

NOTE:

1. Using tip and barrel measurement.

APPLICATION NOTE

Ripple Voltage Suppress

When the output voltage ripple can't be satisfied in your applications, it can still be suppressed by adding capacitors between the output Vo+ and Vo- pins. Insure that the rated voltage of the capacitors is higher than the output voltage of the converters. And large capacitance can be accomplished with several capacitors in parallel.

Reverse Polarity Protection:

Reverse Polarity Protection is easily achieved by placing a diode in series with the input to the converter.(Figure 1)

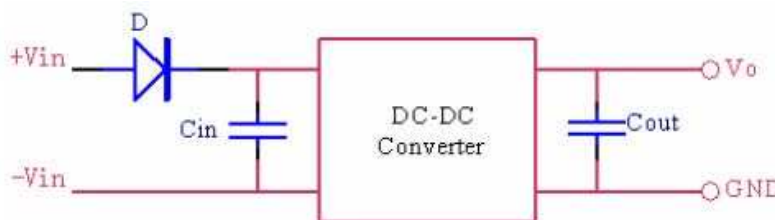


Figure 1

LONG TIME SHORT CIRCUIT WORK IS PROHIBITED

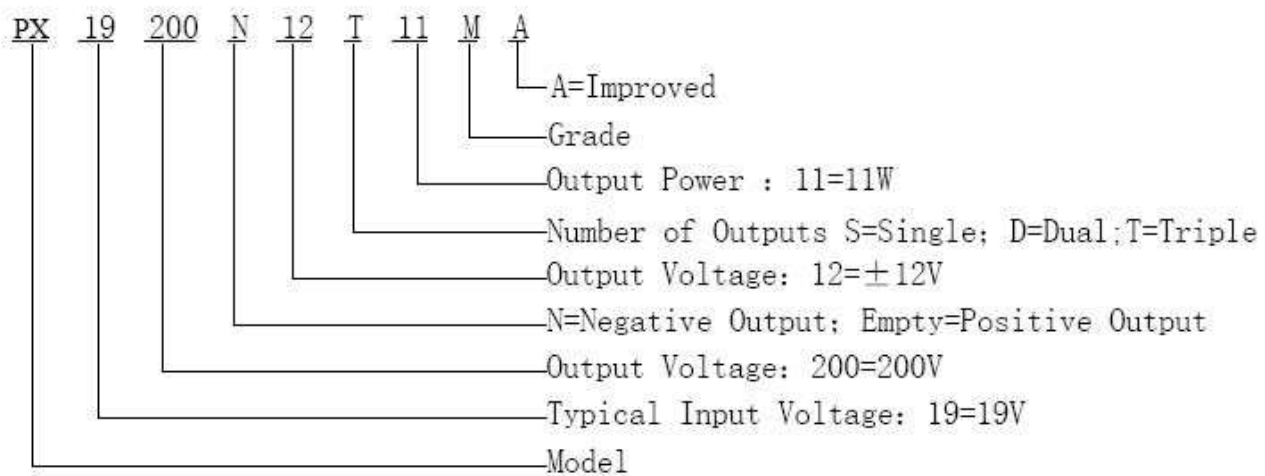


APPLICATION NOTE cont.

Over Current & Short Circuit Protection

PXI19200N12T-11M(A) Series high voltage DC/DC converter has the function of Over Current & Short Circuit Protection. When the converter is under either condition, it will be automatically in Current Protection mode. When the condition is removed, the converter will be automatically restored.

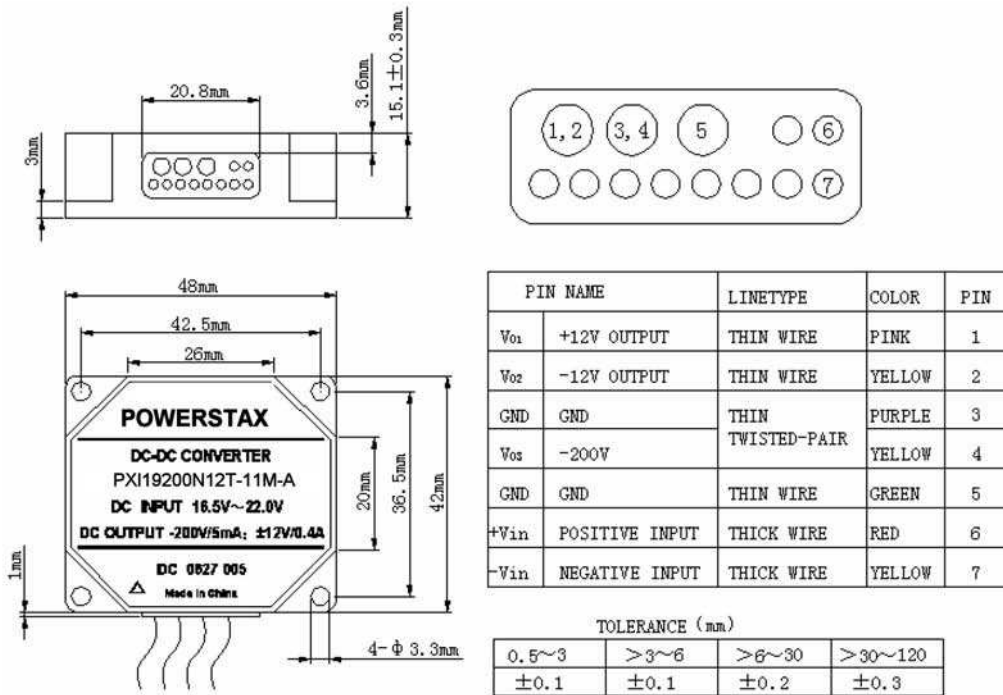
Ordering Information



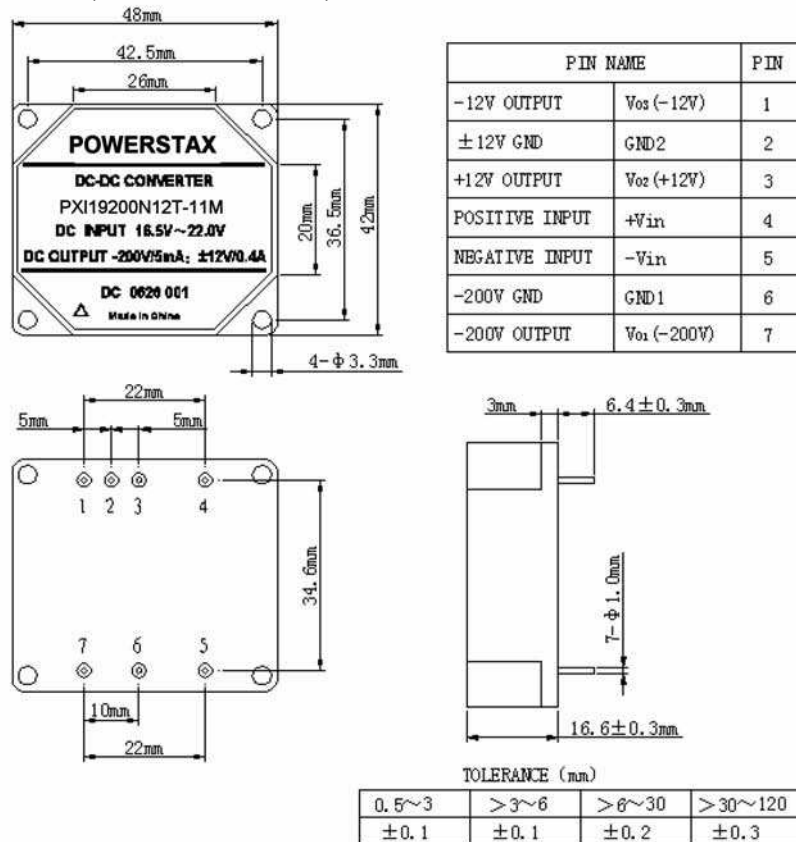
MECHANICAL SPECIFICATIONS

Mechanical Characteristics		Units	
Size(L×W×D)	PXI19200N12T-11M	48×42×16.6	mm
	PXI19200N12T-11M-A	48×42×15.1	
Isolation Characteristics			
Isolation(Min)	PXI19200N12T-11M(A)		Units
Insulation Resistance	≥200		MΩ
Environmental Screening			
High-Temp	+55°C		
Low-Temp	-40°C		
Temp-Cycle	-55°C~+70°C	3 Cycle	
Stabilization Bake	+125°C	24h	
Burn-in	+55°C (Full Load)	96h	
Environmental			
Resist Over- Load	The Axes:100g, 8ms;	The Radial:30g, 11ms	
Scan Shock	For detailed information, refer to factory's test report.		

MECHANICAL SPECIFICATIONS (PXI9200N12T-11M-A)



MECHANICAL SPECIFICATIONS (PXI9200N12T-11M)



NOTE: △ indicates Pin 1.

Exceeding absolute maximum ratings may cause permanent damage and may reduce reliability. Information and specifications contained in this data sheet are believed to be correct at the time of publication. However, Powerstax accept no responsibility for consequences arising from printing errors or inaccuracies. Specifications are subject to change without notice.