



- OUTPUT POWER UP TO 3000W
- OUTPUT VOLTAGES UP TO 200V
- ADJUSTABLE 0-100% VOLTAGE OR CURRENT
- UP TO 88% EFFICIENCY
- REMOTE ENABLE
- THERMALLY PROTECTED



UNISTAX - 1 phase

POWER SUPPLY DESIGN EXCELLENCE

UNISTAX is a range of modular power supplies offering unmatched ruggedness and is designed for use in the most stringent of industrial applications. Constant voltage or constant current mode are

standard features with a variety of remote control functions being available.

Chassis mounted and 19" rack-mounted versions are available across the range.

STANDARD MODEL	OUTPUT VOLTAGE	OUTPUT CURRENT	POWER	CASE STYLE	
				CHASSIS (-C)	19" (-N)
U01201-1-008-150-x U01921-1-008-240-x	8V	150A 240A	1200W 1920W	4 2	3U
U01441-1-012-120-x U02881-1-012-240-x	12V	120A 240A	1440W 2880W	4 2	3U
U01501-1-015-100-x U03001-1-015-200-x	15V	100A 200A	1500W 3000W	4 2	3U
U01501-1-020-075-x U03001-1-020-150-x	20V	75A 150A	1500W 3000W	3 4	3U
U01441-1-024-060-x U03001-1-024-125-x	24V	60A 125A	1440W 3000W	3 4	3U
U01401-1-028-050-x U02801-1-028-100-x	28V	50A 100A	1400W 2800W	3 4	3U
U01441-1-036-040-x U02881-1-036-080-x	36V	40A 80A	1440W 2880W	3 4	3U
U01441-1-048-030-x U02881-1-048-060-x	48V	30A 60A	1440W 2880W	3 4	3U
U01501-1-100-015-x U03001-1-100-030-x	100V	15A 30A	1500W 3000W	3 4	3U
U01501-1-200-007-x U03001-1-200-015-x	200V	7.5A 15A	1500W 3000W	3 4	3U

NOTE: For chassis mounted models (standard) replace '-x' with '-C' at the end of the model number.

For 19" rack-mount models replace '-x' with '-N' at the end of the model number.

To specify Remote Control options add the following to the end of the model number:

- 0-10V remote current control - add an 'I'.
- 0-10V remote voltage control - add a 'V'.

See later in this datasheet for a full model number configuration guide.



INPUT SPECIFICATIONS	
Input Voltage	207-264VAC single phase
Input Frequency Range	47-63Hz
Input Protection	Chassis-mount models: Internal fuse, 19" rack-mount models: circuit breakers
Power Factor	>0.99 typical, meets EN61000-3-2

OUTPUT SPECIFICATIONS	
Output Voltage / Current	See model table
Current Limiting	Electronic control
Load Regulation	<1% for 10% to 100% load change
Line Regulation	<±1% for ±10% input change
Output Ripple	<3% rms (50Hz to 100kHz bandwidth)
Temperature Coefficient	<0.01%/°C
Efficiency	>82% typical at full load (depends on output power/current)
Current Share	Droop mode, >5% accuracy (external ORing circuits required)
Remote Sense	Available, consult factory

CONTROL INPUTS ¹	
Output Voltage Adjustment ²	50 to 100% of rated output as standard (specify option -V for 0 to 100%)
Output Current Adjustment ²	50 to 100% of rated output as standard (specify option -I for 0 to 100%)
Output Voltage Monitor	0-10V equals 0 to 100% rated voltage, accuracy better than 1%
Output Current Monitor	0-10V equals 0 to 100% rated current, accuracy better than 1%
Enable Input	Relay or open collector, rated 12V 100mA

Notes: 1. All controls are referenced to the secondary. 2. Voltage or Resistive input, see next page.

ENVIRONMENTAL SPECIFICATIONS	
Temperature Range	0° to 40°C operating, -10°C to +50°C storage
Humidity	10-90%RH, non-condensing
Cooling	Internal fans, see mechanical drawings for direction
Altitude	Full rating to 1000m, derate current linearly to 0% from 1000m to 3000m

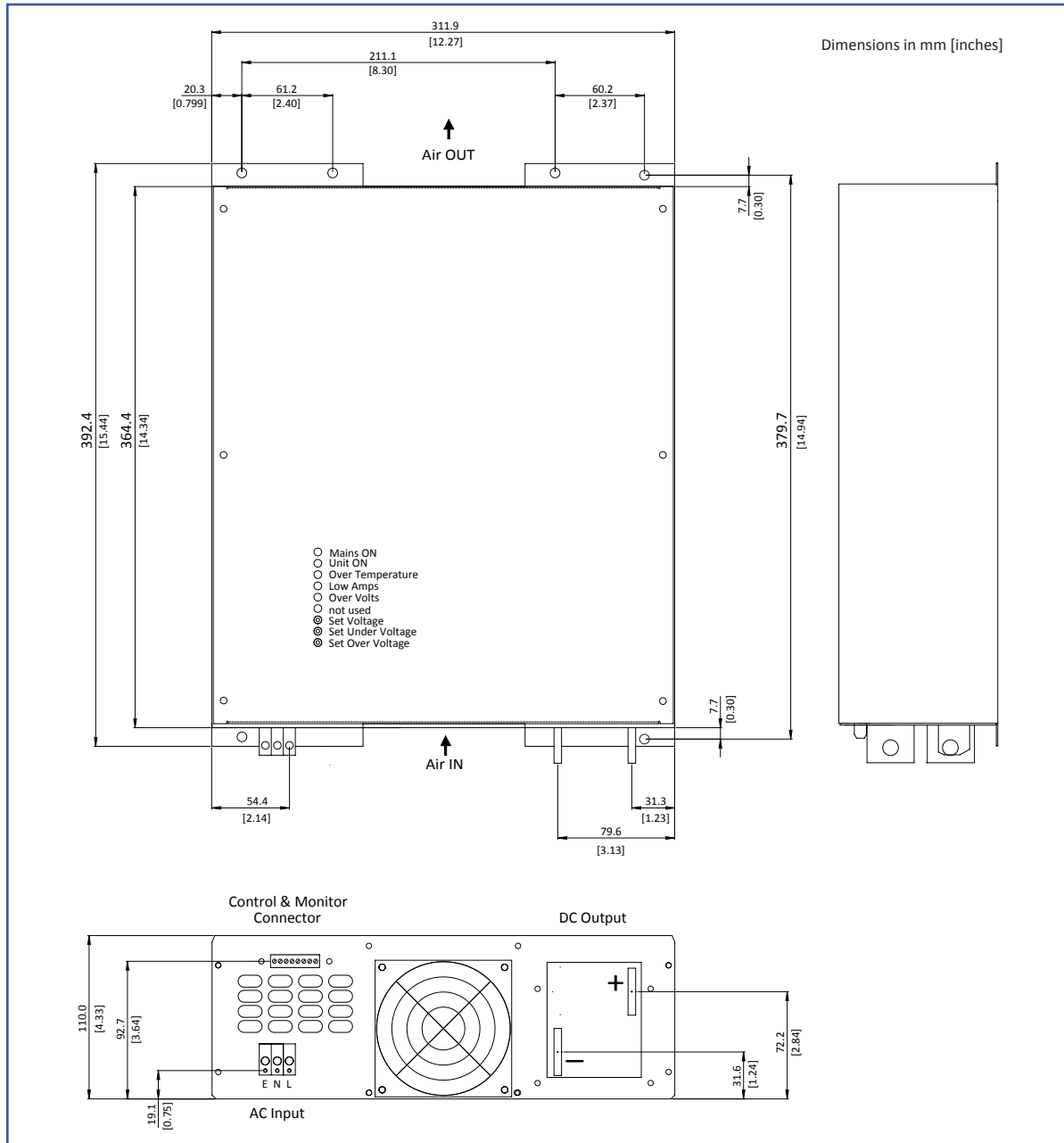
SAFETY & EMC SPECIFICATIONS	
Safety Standards	EN60335-1:1994/A16:2001
Isolation	1500VAC input - ground 3000VAC input - output 500VAC output - ground
Emissions (Conducted & Radiated)	EN55011, level A
Immunity	ESD, EN61000-4-2 Radiated RF, EN61000-4-3 Conducted RF, EN61000-4-6 Fast Transients, EN61000-4-4 Input Surges, EN61000-4-11

STATUS INDICATORS & ALARMS	
Mains On	Green LED
Output On	Green LED
Over-Temperature	Red LED NC dry contact 1A, 125VDC

OUTLINE DIMENSIONS (CHASSIS MOUNT)			
Case Size	Width	Height	Depth
2	312mm	392mm	108mm
3	312mm	200mm	108mm
4	312mm	316mm	108mm



MECHANICALS - CASE SIZE 2



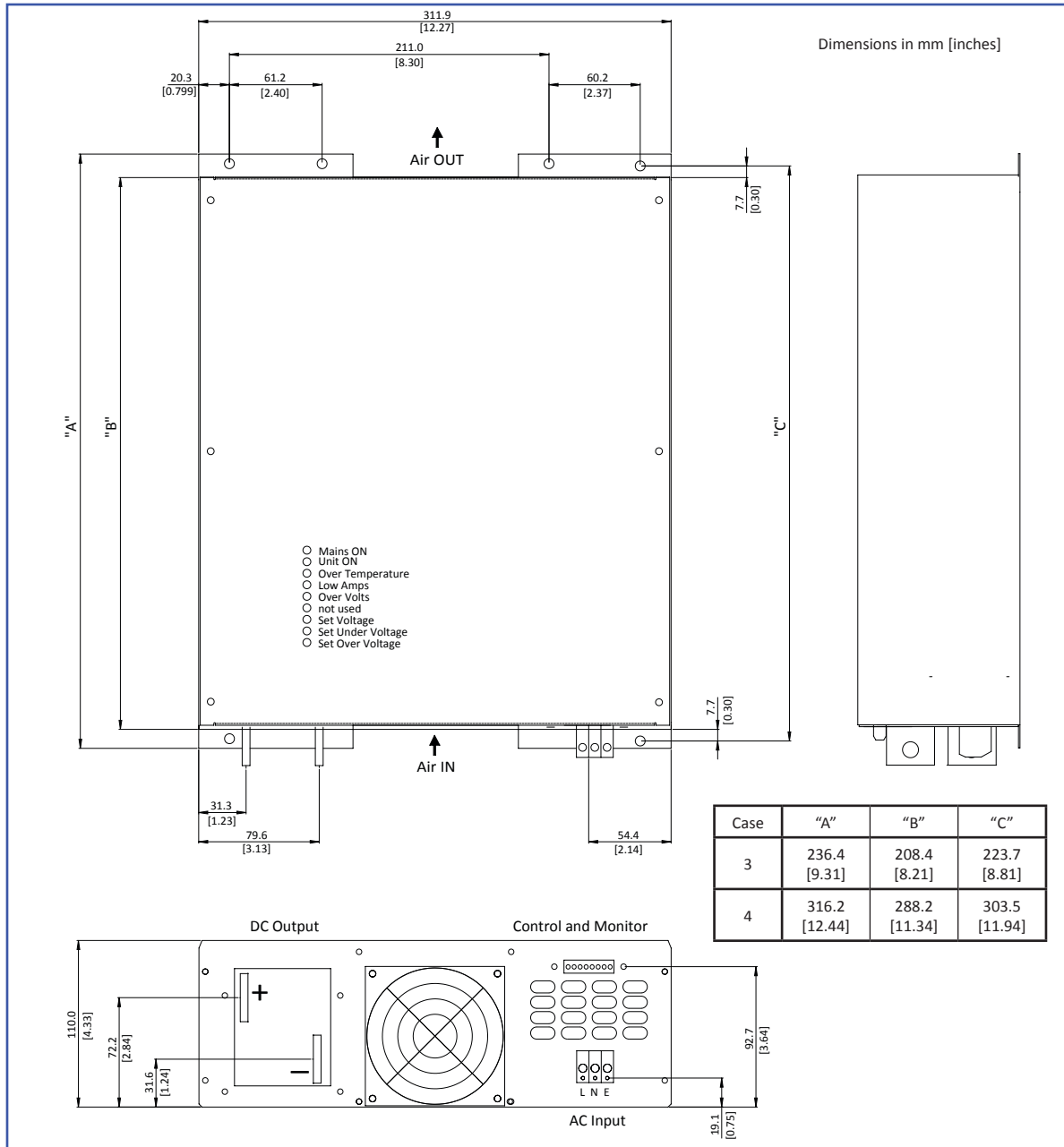
UNISTAX - 1 phase

LEDs / Adjustments	
LED / Pot.	Function
1	Mains ON
2	Unit ON
3	Over Temperature
4	Low Amps
5	Over Volts
6	-
7	Set Output Voltage
8	Set Under Voltage
9	Set Over Voltage

Control & Monitor Connector	
Terminal	Function
1	Enable 1
2	Enable 2
3	Alarm Relay 1
4	Alarm Relay 2
5	Set Current Out
6	Output Current Monitor
7	Output Voltage Monitor
8	Monitor Common



MECHANICALS - CASE SIZES 3 & 4



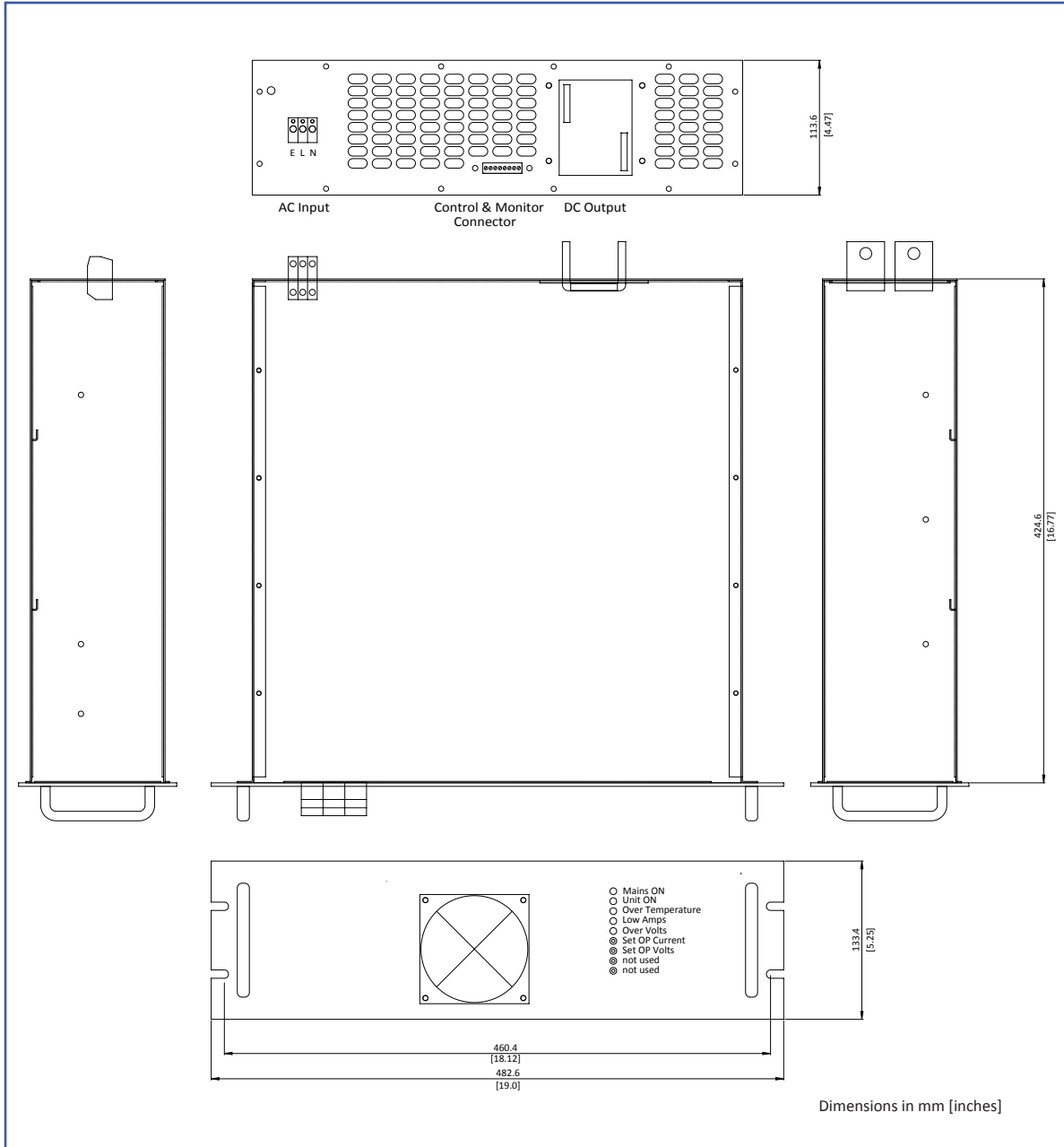
UNISTAX - 1 phase

LEDs / Adjustments	
LED / Pot.	Function
1	Mains ON
2	Unit ON
3	Over Temperature
4	Low Amps
5	Over Volts
6	-
7	Set Output Voltage
8	Set Under Voltage
9	Set Over Voltage

Control & Monitor Connector	
Terminal	Function
1	Enable 1
2	Enable 2
3	Alarm Relay 1
4	Alarm Relay 2
5	Set Current Out
6	Output Current Monitor
7	Output Voltage Monitor
8	Monitor Common



MECHANICALS - 19" RACK-MOUNT



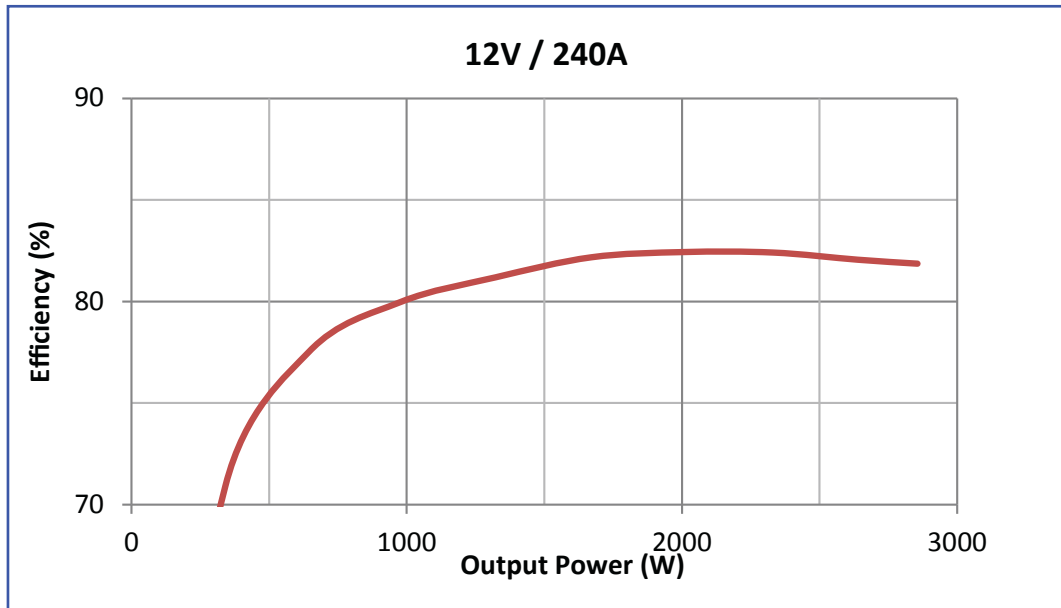
UNISTAX - 1 phase

LEDs / Adjustments	
LED / Pot.	Function
1	Mains ON
2	Unit ON
3	Over Temperature
4	Low Amps
5	Over Volts
6	Set Output Current
7	Set Output Voltage
8	-
9	-

Control & Monitor Connector	
Terminal	Function
1	Enable 1
2	Enable 2
3	Alarm Relay 1
4	Alarm Relay 2
5	Set Current Out
6	Output Current Monitor
7	Output Voltage Monitor
8	Monitor Common



EXAMPLE EFFICIENCY CURVE



UNISTAX - 1 phase



REMOTE CONTROL OPTIONS

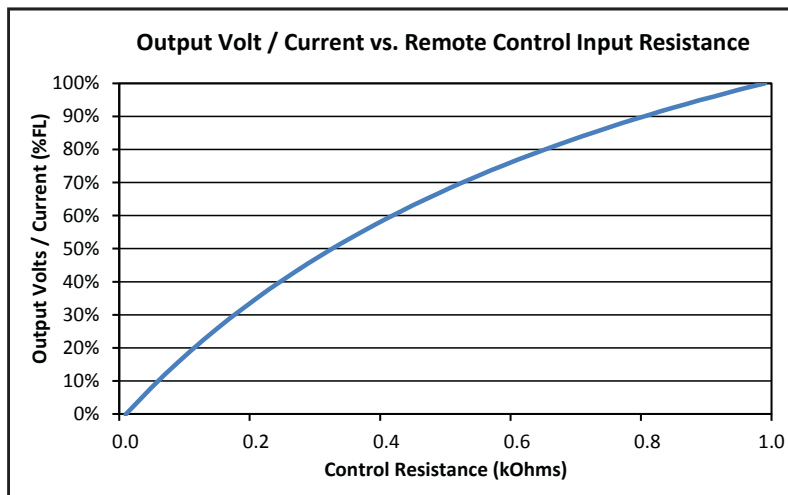
As standard the output current and voltage can be individual remotely adjusted from 50 to 100% of the maximum rating.

With the '-I' and '-V' options fitted the output current and voltage can be adjusted from 0 to 100% of the maximum rating according to the following formula:

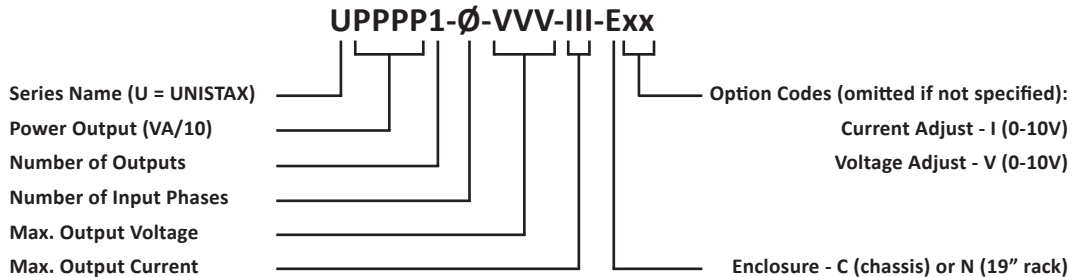
0 to 10V (1mA) input gives 0 to 100% current or volts.

or

0 to 1kOhm input gives 0 to 100% current or volts.



MODEL NUMBER CONFIGURATION GUIDE



All specifications are typical at nominal line input, full load and 25°C unless otherwise stated.

unistax-1phase-ds-rev1-1112.indd

Powerstax Europe

Unit 5 Armstrong Mall
Southwood Business Park
Farnborough, Hampshire
GU14 0NR, UK

Powerstax North America

12804 W. Santa Ynez Drive
Sun City West
Arizona 85375
USA

Information and specifications contained in this data sheet are believed to be correct at the time of publication. However, Powerstax accept no responsibility for consequences arising from printing errors or inaccuracies. Specifications are subject to change without notice.