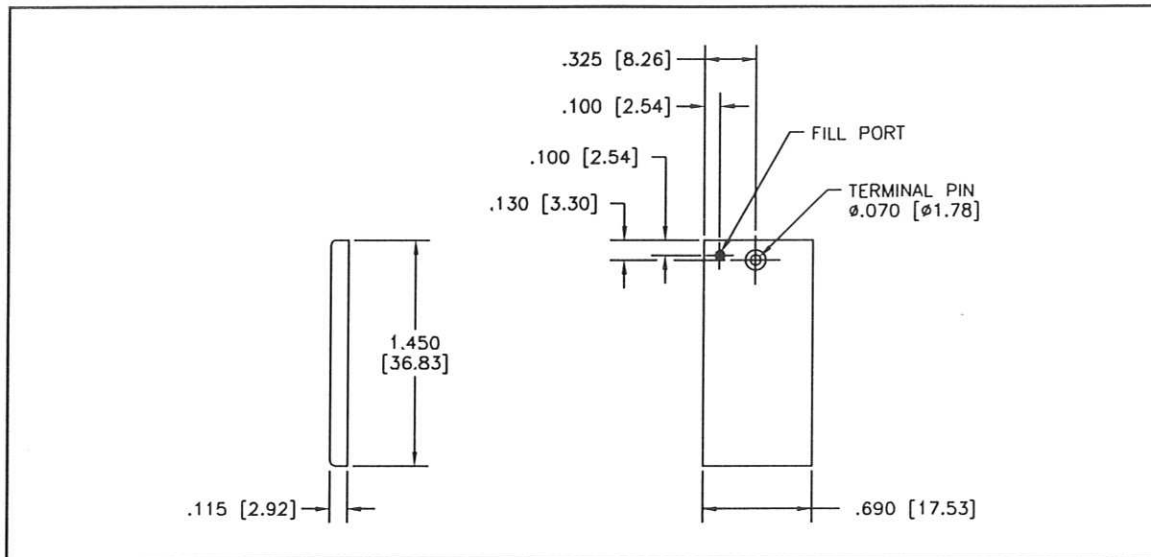


Product Development Operation

Part No. **LTC-314**



Physical Characteristics

System _____ Li/SOCl₂

Construction _____ Flat Plates

Weight

(g) _____ 6.5

(oz) _____ 0.23

Volume

(in³) _____ 0.12

(cc) _____ 1.89

Performance Characteristics

OCV(volts) _____ 3.65

Rated Capacity _____ 310 mAhr
(25°C, 227 ohms, 2.8V cutoff)

Current Max

Tested Pulse _____ 690 mAhr
(25°C, 3.9 ohms, 2.68V)

Storage Loss (nominal %/yr) _____ 3

Energy Density (volumetric)

Whr/in³ _____ 10.63

Whr/l _____ 648.5

Specific Energy (gravimetric)

Whr/lb _____ 74.2

Whr/kg _____ 163.6