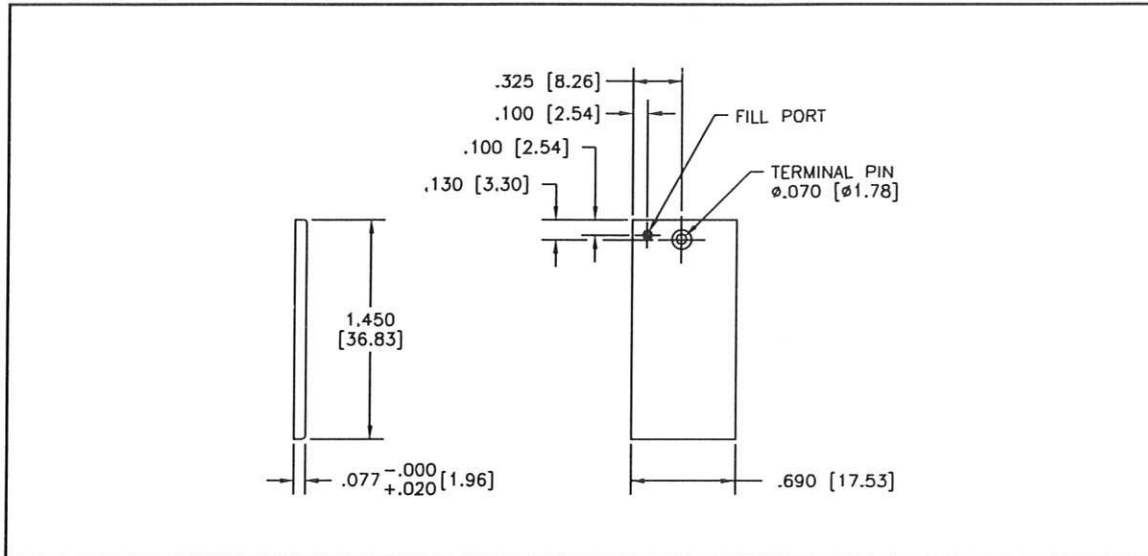


Product Development Operation

Part No. **LTC-312**



Physical Characteristics

System _____ Li/SOCl₂

Construction _____ Flat Plates

Weight

(g) _____ 5.3

(oz) _____ 0.18

Volume

(in³) _____ 0.08

(cc) _____ 1.27

Performance Characteristics

OCV(volts) _____ 3.65

Rated Capacity _____ 225 mAh
(25°C, 458 ohms, 2.8V cutoff)

Current Max

Tested Pulse _____ 215 mAh
(25°C, 14 ohms, 3.0V)

Storage Loss (nominal %/yr) _____ 3

Energy Density (volumetric)

Whr/in³ _____ 9.70

Whr/l _____ 591.8

Specific Energy (gravimetric)

Whr/lb _____ 69.0

Whr/kg _____ 146.3