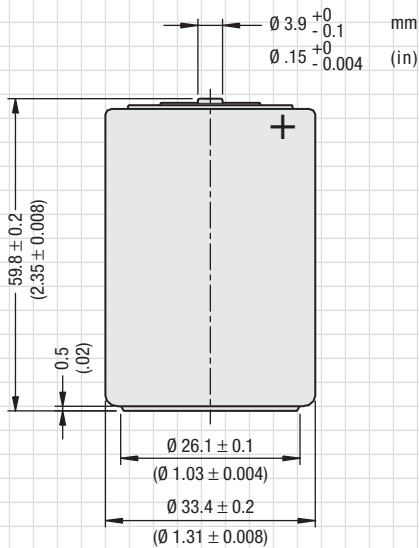


SPECIFICATIONS PT-2300

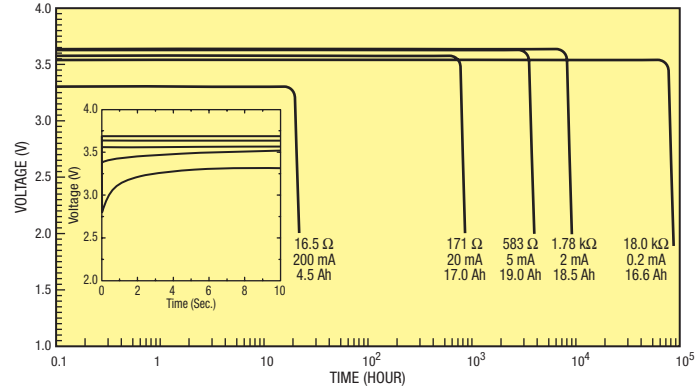
Typical values for batteries stored at 20°C for one year

| | |
|---|--|
| Nominal Capacity (At 5mA/20°C/68°F/2.0V Cut-Off) | 19 Ah |
| Open Circuit Voltage (At 20°C/68°F) | 3.67 V |
| Nominal Voltage (At 5mA/20°C/68°F) | 3.6 V |
| Maximum Continuous Current | 230 mA |
| Maximum Pulse Current Capability | 500 mA |
| Rated 1 Sec. Pulse Capability (To 3V) | 100 mA |
| Operating Temperature | |
| Range | -55° to +85°C (-67° to +185°F) |
| Weight | 97 g (3.26 oz) |
| Anode Surface Area | 40 cm ² (6.20 in ²) |
| Volume | 51 cm ³ (7.91 in ³) |
| Diameter (Max) | 33.6 mm (1.32 in) |
| Height (Max)..... | 60 mm (2.36 in) |

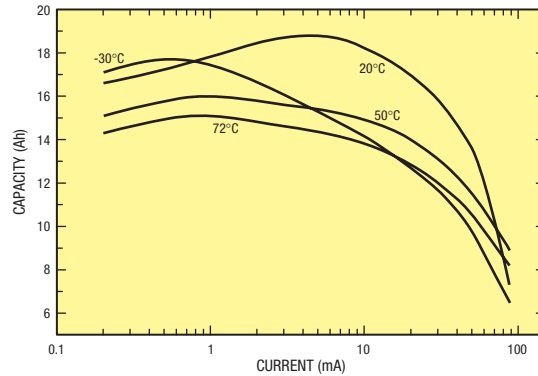
PRODUCT SCHEMATIC



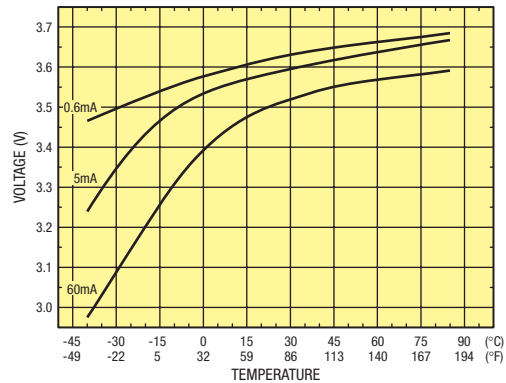
DISCHARGE CHARACTERISTICS AT +20°C (68°F)



CAPACITY vs. CURRENT



TEMPERATURE vs. OPERATING VOLTAGE



WARNING: Fire, Explosion And Severe Burn Hazard. Do Not Recharge, Crush, Disassemble, Heat Above 212°F (100°C), Incinerate Or Expose Contents To Water

THE ECONOMICAL HIGH-POWER SOLUTION

The EaglePicher PT Series of KEEPER® cells was developed as an economical, high-power option for design experts who prefer the cylindrical design. With sizes and capacities ranging from the 1200 mAh (PT-2150) to the 19,000 mAh (PT-2300H), this cylindrical design will provide the long life power needed for commercial applications.

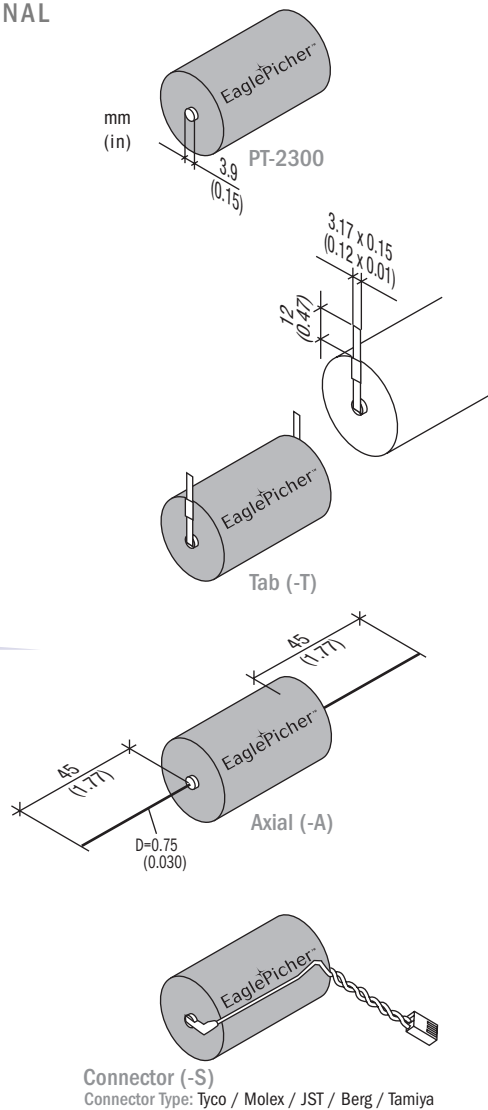
PT SERIES PRODUCT FEATURES

- Compliant with lead-free RoHS and WEEE EC directives.
- Stainless steel construction provides corrosion resistance, hermetic seal and structural integrity.
- Years of low-rate continuous use.
- Stand-by use with 80% capacity retention after 15 years at room temperature.
- Wave solderable (limit solder bath exposure to a maximum of 5 seconds).
- High energy density compared to other chemistries.
- No charging circuits required.
- Higher cell voltage allows for fewer cells and high reliability.
- Flat discharge characteristics provide optimum voltage regulation.
- Non-pressurized system allows for high-temperature usage.
- Underwriters Laboratories recognized component.

WE CAN DESIGN TO FIT ANY APPLICATION.

Our team of engineers can design any pin configuration required to fit your specialized application. If you don't see a battery configuration you need here, call us and we will begin working on a EP part number just for you.

PT-2300 TERMINAL TYPES



The specifications on this sheet may be changed by EaglePicher without notice. EaglePicher™ is a trademark of and Keeper® is a registered trademark of EaglePicher Corporation.

DISTRIBUTED LOCALLY BY:

EaglePicher™ Commercial Power Solutions

Keeper®

3220 Industrial Drive • Joplin, MO 64801

Tel: 1-800-201-0215 • Fax: 417-626-2078

E-mail: solutions@eaglepicher.com • Web site: www.epcompower.com

Copyright ©2006 EaglePicher Corporation