



Trenton TKM1502 Monitor / Keyboard Drawer
NEMA 4 Sealed 17" LCD in a retractable drawer

FEATURES

- Rugged 1U LCD display drawer designed for military requirements
- Rackmount monitor saves valuable space in system installation
- Shallow 17" (43.18cm) depth is ideal for transit case applications
- Water tight, sealed NEMA 4, optically bonded LCD monitor
- 17" Active Matrix TFT LCD provides a wide viewing area
- Backlight and sealed, NEMA 4X keyboard with integrated mouse
- Rugged yet lightweight aluminum enclosure weighs only 27 lbs.
- Clamshell enclosure design enables more component placements



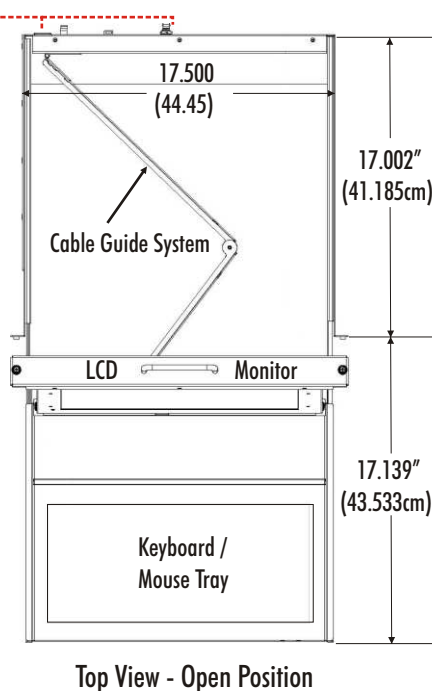
TKM1502 OVERVIEW:

The Trenton TKM1502 is a 1U rugged rackmount monitor and keyboard drawer designed for the tough operating environments typically found in military system installations and factory-floor automation applications. Only 1U (1.75"/4.45cm) of 19" component height is needed by the TKM1502 and this rackmount LCD monitor / keyboard drawer fits inside racks using a depth dimension of only 17" (43.18cm). The TKM1502 has a sealed NEMA 4 LCD monitor and a backlit NEMA 4X USB keyboard/mouse that keeps out water and other contaminants to provide trouble-free operation in harsh environments. The rugged all aluminum design of the TKM1502 is ideal for applications where total component rack weight is a primary consideration. The component rack savings provided by the TKM1502 frees up mounting space for additional rackmount computer and server hardware; thereby, enabling a more efficient use of available space.

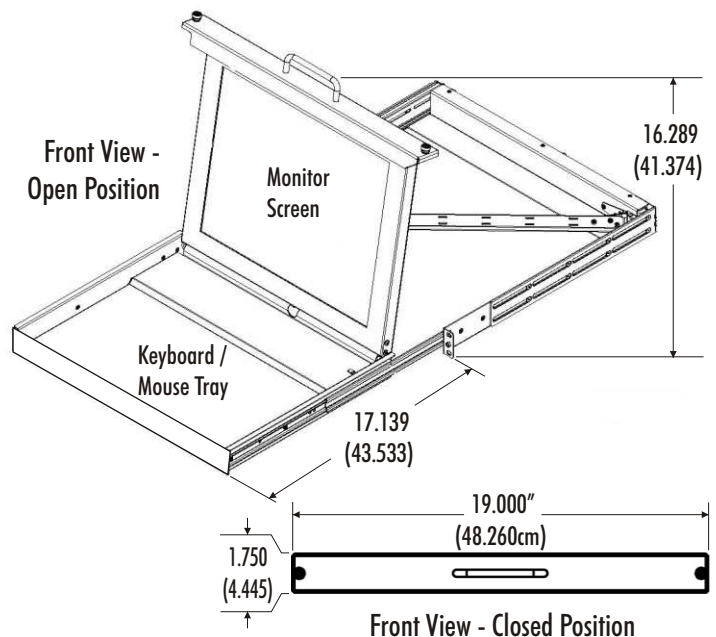
The LCD display featured in the TKM1502 measures 17" on the diagonal and uses the active matrix thin-film transistor (TFT) display technology. The display's wide viewing angle enables easy monitor reading over a wide range of display positions. This 4:3 aspect ratio monitor supports display resolutions up to 1280 x 1024 pixels (SXGA) and over 16 million display colors.

TKM1502 MECHANICAL LAYOUT:

Power, Video, Keyboard and Mouse Connections



Top View - Open Position



Front View - Closed Position

TRENTON LCD MONITOR: TKM1502

SYSTEM MODEL	DESCRIPTION
TKM1502	Rugged 1U rackmount monitor / keyboard drawer featuring a sealed NEMA 4 17" LCD monitor and backlit NEMA 4X keyboard with a built-in mouse

TECHNICAL SPECIFICATIONS:

MODEL NAME	TKM1502
DESCRIPTION	Rugged 1U rackmount monitor and keyboard drawer with a NEMA 4 17" LCD monitor and backlit NEMA 4X keyboard with integrated mouse
MONITOR SIZE	17" Diagonal, Ultra Thin [0.925" (2.35cm) depth includes the monitor frame and housing], 13.3" / 33.8cm W x 10.6" / 27.0cm H active display area
MONITOR TYPE	TFT Active Matrix LCD, optically bonded daylight readable display, NEMA 4 monitor and OSD buttons are sealed for water tight operations
MONITOR ASPECT RATIO	4:3
MONITOR RESOLUTION	1280 x 1024, SXGA with a color depth of 16 million colors (maximum)
MONITOR BRIGHTNESS	250 NITS cd/m2 with a contrast ratio of 350:1 and a monitor response time of 5 to 20 (Tr/TF)(ms)
MONITOR PIXEL PITCH	0.264mm x 0.264mm (H x W)
MONITOR VIEWING ANGLE	75° Left of vertical center and 70° Right of vertical (145° total), 60° Up over horizontal center and 60° Down from horizontal center (120° total)
SURFACE GLASS TREATMENT	Antiglare hard coat
VIDEO CONNECTOR	1 - D-15 RGB (VGA) connector standard with optional DVI-D support is featured with the monitor's built-in V052 video controller card
KEYBOARD and MOUSE	Keyboard backlighting enables viewing with night vision goggles, NEMA 4X, sealed, corrosion-protected USB keyboard with a built-in mouse
POWER SUPPLY	+ 12V DC low-power operation with IP67 power connector, external supply + 12V to 14.5 DC output range (typical)
TEMPERATURE	0° to 50° C. Operating and -25° to 60° C. Non-operating
HUMIDITY	5% to 95% RH Operating and Non-operating (non-condensing)
SLIDE RAILS	Pre-integrated ball-bearing slides with cable management guides for 20" (50.8cm) depth
MOUNTING	Standard 19-inch component rack
MONITOR HINGE	2 – Heavy-duty torque hinges support up to 30 lbs. (13.62 kg)
DIMENSIONS	19.0" / 48.3cm (W) x 1.75" / 4.45cm (H) x 17.00" / 41.19cm (D), designed for mounting in 20" - 36" (50.8 cm - 91.44cm) deep racks
NET WEIGHT	27 lbs. (12.26 Kg)

Trenton Systems also offers complete rackmount computer system manufacturing and integration services using a variety of standard and customer supplied operating systems and application software packages. Various Microsoft®, Linux and RTOS operating systems can be loaded on to your Trenton Systems computer hardware by our highly skilled factory technicians. Other system integration services include loading and testing of industry standard or COTS option cards as well as custom designed boards.

Standard industry certifications and approvals for your specific rackmount computer system configuration are also available from Trenton Systems.

NOTES:

1. The monitor / keyboard tray photos are shown for illustrative purposes only.

Microsoft is a registered trademark of Microsoft Corporation. All other product and/or company names are trademarks or registered trademarks of their respective owners.

Copyright ©2010 by TRENTON Systems Inc., All rights reserved

