

TKM1503

TRENTON LCD TOUCHSCREEN MONITOR / KEYBOARD TRAY



Trenton TKM1503 Monitor / Keyboard Drawer
NEMA 4 Sealed 17" LCD with a resistive touchscreen

FEATURES

- Rugged 1U LCD display drawer designed for military requirements
- Optically bonded resistive touchscreen streamlines data entry
- 1U rackmount monitor saves valuable space in system installation
- Shallow 17" (43.18cm) depth is ideal for transit case applications
- Water tight, sealed NEMA 4, optically bonded LCD monitor
- 17" Active Matrix TFT LCD provides a wide viewing area
- Backlight and sealed, NEMA 4X keyboard with integrated mouse
- Rugged yet lightweight aluminum enclosure weighs only 27 lbs.
- Clamshell enclosure design enables more component placements



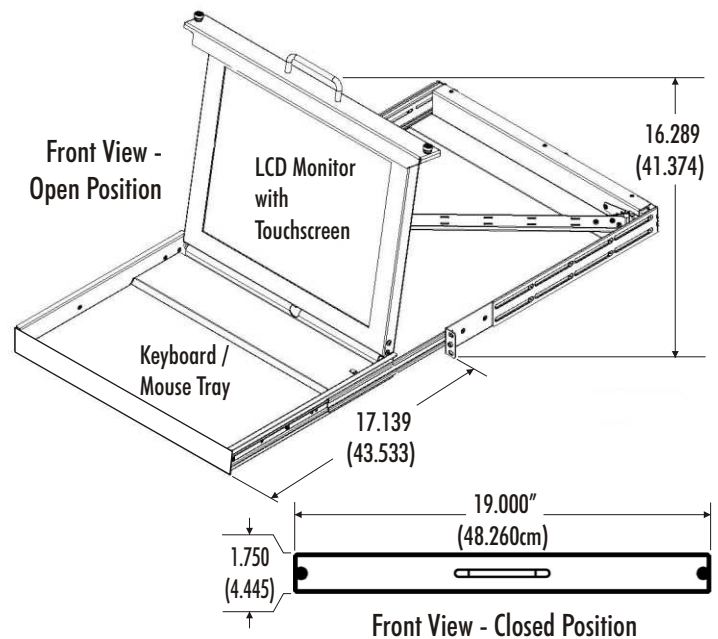
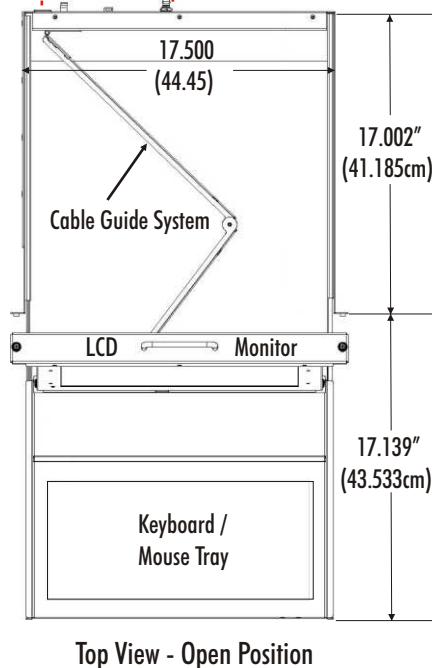
TKM1503 OVERVIEW:

The Trenton TKM1503 is a 1U rackmount monitor and keyboard drawer designed for the tough operating environments typically found in military system installations and factory-floor automation applications. Only 1U (1.75"/4.45cm) of 19" component height is needed by the TKM1503 and this rackmount LCD monitor / keyboard drawer fits inside racks using a depth dimension of only 17" (43.18cm). The TKM1503 includes a resistive touchscreen that is optically bonded to the sealed NEMA 4 LCD monitor. This robust touchscreen increases data entry speeds by enabling direct operator interaction with the display elements on the monitor. The rugged all aluminum design of the TKM1503 is ideal for applications where total component rack weight is a primary consideration.

The LCD display featured in the TKM1503 measures 17" on the diagonal and uses the active matrix thin-film transistor (TFT) display technology. The display's wide viewing angle enables easy monitor reading over a wide range of display positions. This 4:3 aspect ratio monitor supports display resolutions up to 1280 x 1024 pixels (SXGA) and over 16 million display colors.

TKM1503 MECHANICAL LAYOUT:

Power, Video, Touchscreen
Keyboard and Mouse
Connections



TRENTON LCD MONITOR: TKM1503

SYSTEM MODEL	DESCRIPTION
TKM1503	Rugged 1U rackmount monitor / keyboard drawer featuring a sealed NEMA 4 17" LCD monitor with touchscreen & backlit NEMA 4X keyboard/mouse

TECHNICAL SPECIFICATIONS:

MODEL NAME	TKM1503
DESCRIPTION	Rugged 1U rackmount monitor and keyboard drawer with a NEMA 4 17" LCD monitor with touchscreen & backlit NEMA 4X keyboard / mouse
MONITOR SIZE	17" Diagonal, Ultra Thin [0.925" (2.35cm) depth includes the monitor frame and housing], 13.3" / 33.8cm W x 10.6" / 27.0cm H active display area
MONITOR TYPE	TFT Active Matrix LCD, optically bonded daylight readable display, NEMA 4 monitor and OSD buttons are sealed for water tight operations
MONITOR ASPECT RATIO	4:3
MONITOR RESOLUTION	1280 x 1024, SXGA with a color depth of 16 million colors (maximum)
MONITOR BRIGHTNESS	250 NITS cd/m2 with a contrast ratio of 350:1 and a monitor response time of 5 to 20 (Tr/TF)(ms)
MONITOR PIXEL PITCH	0.264mm x 0.264mm (H x W)
MONITOR VIEWING ANGLE	75° Left of vertical center and 70° Right of vertical (145° total), 60° Up over horizontal center and 60° Down from horizontal center (120° total)
SURFACE GLASS TREATMENT	Antiglare hard coat
TOUCHSCREEN TYPE	Optically-bonded Resistive
VIDEO CONNECTOR	1 - D-15 RGB (VGA) connector standard with optional DVI-D support is featured with the monitor's built-in V052 video controller card
KEYBOARD and MOUSE	Keyboard backlighting enables viewing with night vision goggles, NEMA 4X, sealed, corrosion-protected USB keyboard with a built-in mouse
POWER SUPPLY	+12V DC low-power operation with IP67 power connector, external supply +12V to 14.5 DC output range (typical)
TEMPERATURE	0° to 50° C. Operating and -25° to 60° C. Non-operating
HUMIDITY	5% to 95% RH Operating and Non-operating (non-condensing)
SLIDE RAILS	Pre-integrated ball-bearing slides with cable management guides for 20" (50.8cm) depth
MONITOR HINGE	2 – Heavy-duty torque hinges support up to 30 lbs. (13.62 kg)
DIMENSIONS	19.0" / 48.3cm (W) x 1.75" / 4.45cm (H) x 17.00" / 41.19cm (D), designed for mounting in 20" - 36" (50.8 cm - 91.44cm) deep racks
NET WEIGHT	27 lbs. (12.26 Kg)

Trenton Systems also offers complete rackmount computer system manufacturing and integration services using a variety of standard and customer supplied operating systems and application software packages. Various Microsoft®, Linux and RTOS operating systems can be loaded on to your Trenton Systems computer hardware by our highly skilled factory technicians. Other system integration services include loading and testing of industry standard or COTS option cards as well as custom designed boards.

Standard industry certifications and approvals for your specific rackmount computer system configuration are also available from Trenton Systems.

NOTES:

1. The monitor / keyboard tray photos are shown for illustrative purposes only.

Microsoft is a registered trademark of Microsoft Corporation. All other product and/or company names are trademarks or registered trademarks of their respective owners.

Copyright ©2010 by TRENTON Systems Inc., All rights reserved

